

R4E355-AL02-05

AC centrifugal fan

backward curved, single inlet



Nominal data

Type	R4E355-AL02-05	
Motor	M4E074-GA	
Phase		1~
Nominal voltage	[V]	230
Frequency	[Hz]	50
Type of data definition		rfa
Valid for approval / standard		CE
Speed	[min ⁻¹]	1420
Power input	[W]	245
Current draw	[A]	1.12
Motor capacitor	[μF]	8
Capacitor voltage	[VDB]	400
Capacitor standard		P0 (CE)
Min. back pressure	[Pa]	0
Max. ambient temperature	[°C]	50

ml = max. load · me = max. efficiency · rfa = running at free air · cs = customer specs · cu = customer unit
Subject to alterations

R4E355-AL02-05

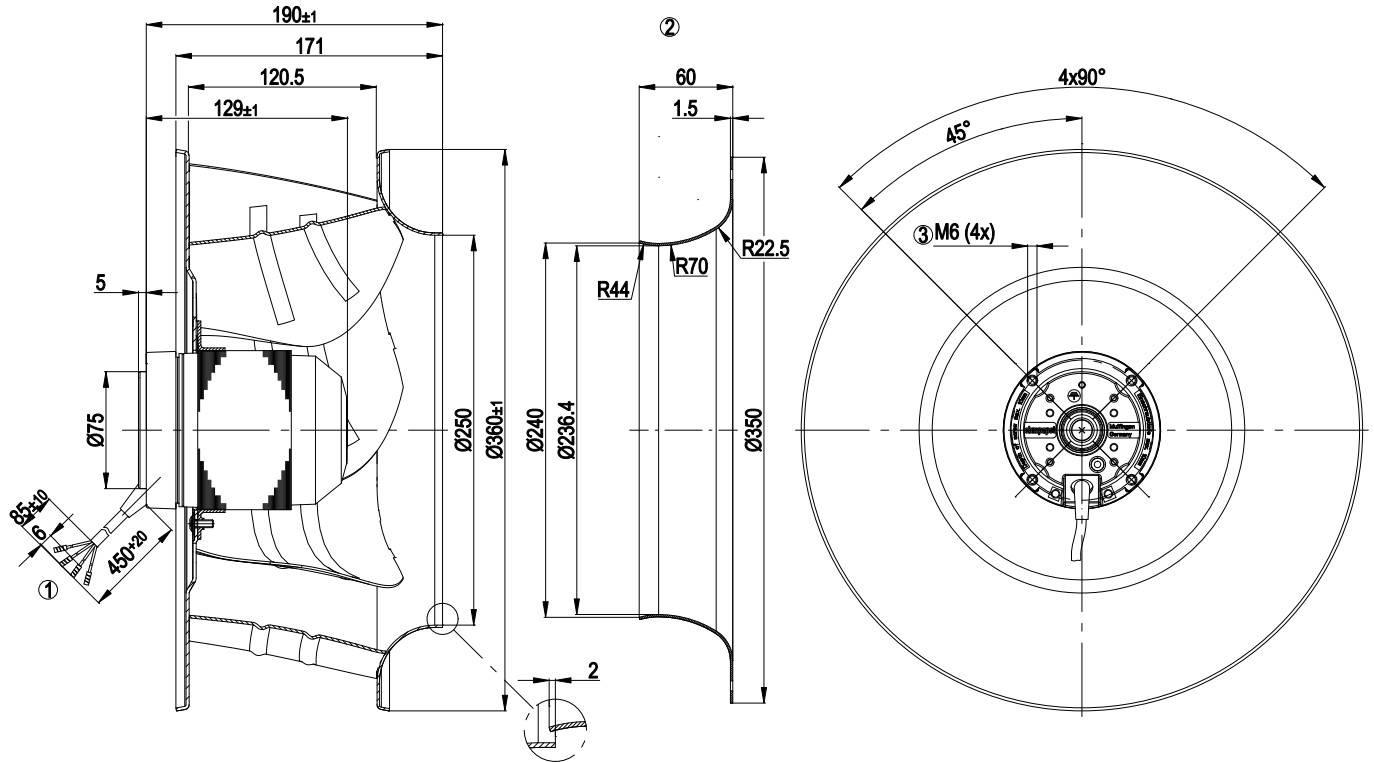
AC centrifugal fan

backward curved, single inlet

Technical features

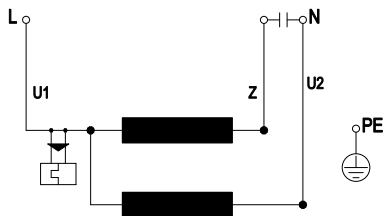
Leakage current	< 0.75 mA
General description	3D impeller
Size	355 mm
Operation mode	S1
Direction of rotation	Clockwise, seen on rotor
Mounting position	Shaft horizontal or rotor on bottom; rotor on top on request
Humidity class	F1-2
Insulation class	"F"
Cable exit	Variable
Condensate discharge holes	Rotor-side
Bearing motor	Ball bearing
Mass	5.44 kg
Material of impeller	Aluminum sheet, laser-welded
Motor protection	Thermal overload protector (TOP) wired internally
Product conforming to standard	CE; EN 60335-1
Surface of rotor	Coated in black
Number of blades	6
Type of protection	IP 44; Depending on installation and position as per EN 60034-5
Protection class	I
Max. permissible ambient motor temp. (transp./ storage)	+ 80 °C
Min. permissible ambient motor temp. (transp./storage)	- 40 °C
Approval	CCC

Product drawing



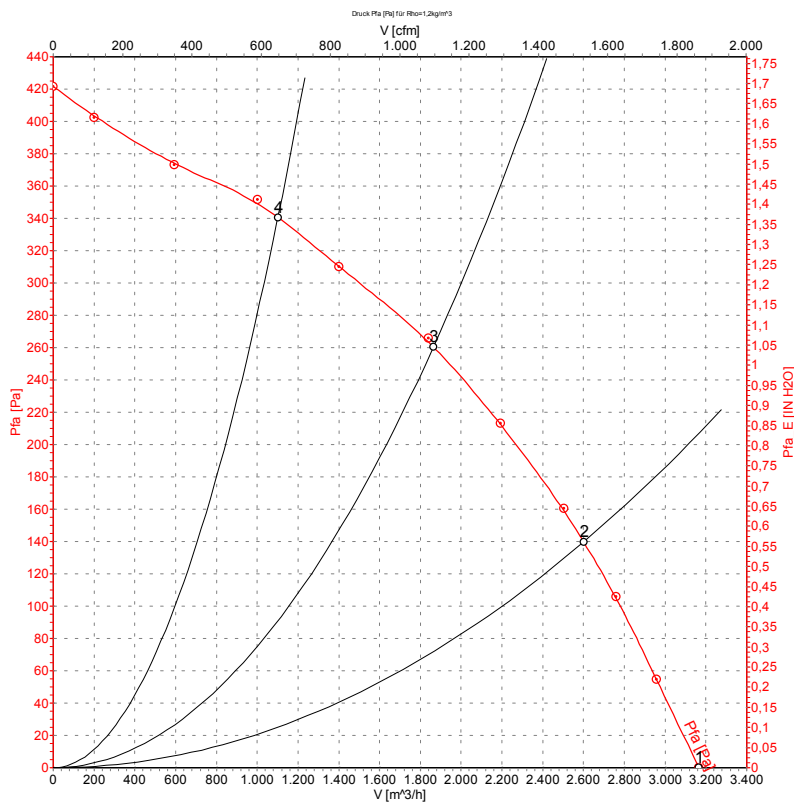
1	Connection line silicone 4 x 0.5 mm ² , 4 x brass lead tips crimped
2	Accessory part: Inlet nozzle 35560-2-4013, not included in the standard scope of delivery. Other inlet nozzles on request
3	Depth of screw max. 10 mm

Connection screen



U1	blue	Z	brown	U2	black
PE	green/yellow				

Charts: Air flow 50 Hz



Measured values

	U	f	n	P ₁	I	Ŷ	P _{fa}
	[V]	[Hz]	[min ⁻¹]	[W]	[A]	[m³/h]	[Pa]
1	230	50	1420	245	1.12	3165	0
2	230	50	1400	288	1.28	2600	140
3	230	50	1390	298	1.32	1865	260
4	230	50	1410	271	1.22	1100	340