

D1G146-AA19-52

EC centrifugal fan

forward-curved, dual-intake
with housing (without flange)

Nominal data

Type	D1G146-AA19-52	
Motor	M1G074-CF	
Nominal voltage	VDC	24
Nominal voltage range	VDC	16 .. 28
Frequency	Hz	-
Method of obtaining data		fa
Speed (rpm)	min ⁻¹	1350
Power consumption	W	105
Current draw	A	5.1
Min. ambient temperature	°C	-25
Max. ambient temperature	°C	60

ml = Max. load · me = Max. efficiency · fa = Free air · cs = Customer specification · ce = Customer equipment
Subject to change

D1G146-AA19-52

EC centrifugal fan

forward-curved, dual-intake
with housing (without flange)

Technical description

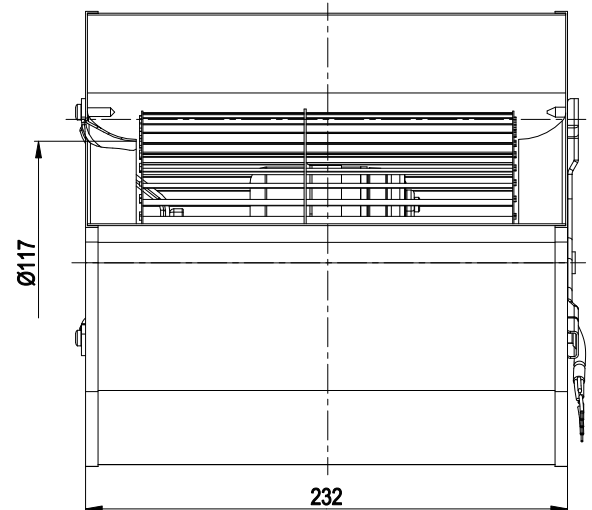
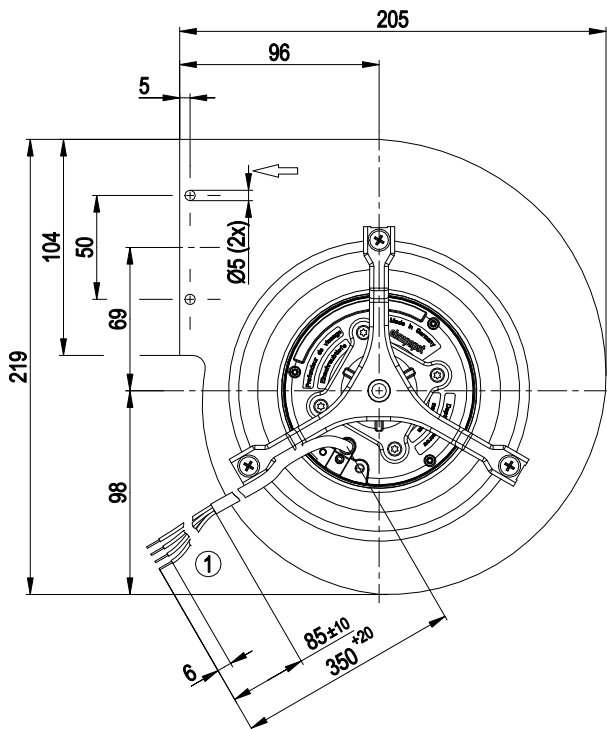
Weight	3.5 kg
Fan size	146 mm
Rotor surface	Painted black
Impeller material	Sheet steel, galvanized
Housing material	Sheet steel, galvanized
Motor suspension	Motor vibration-damped on both sides
Direction of rotation	Clockwise, viewed toward rotor
Degree of protection	IP42
Insulation class	"B"
Moisture (F) / Environmental (H) protection class	F0
Max. permitted ambient temp. for motor (transport/storage)	+80 °C
Min. permitted ambient temp. for motor (transport/storage)	-40 °C
Installation position	Any
Condensation drainage holes	None
Mode	S1
Motor bearing	Ball bearing
Technical features	<ul style="list-style-type: none">- Tach output- Motor current limitation- Soft start- Control input 0-10 VDC / PWM
Motor protection	Reverse polarity and locked-rotor protection
With cable	Variable
Protection class	I (with customer connection of protective earth)
Approval	CSA C22.2 No. 77; EAC; UL 1004-1

D1G146-AA19-52

EC centrifugal fan

forward-curved, dual-intake
with housing (without flange)

Product drawing

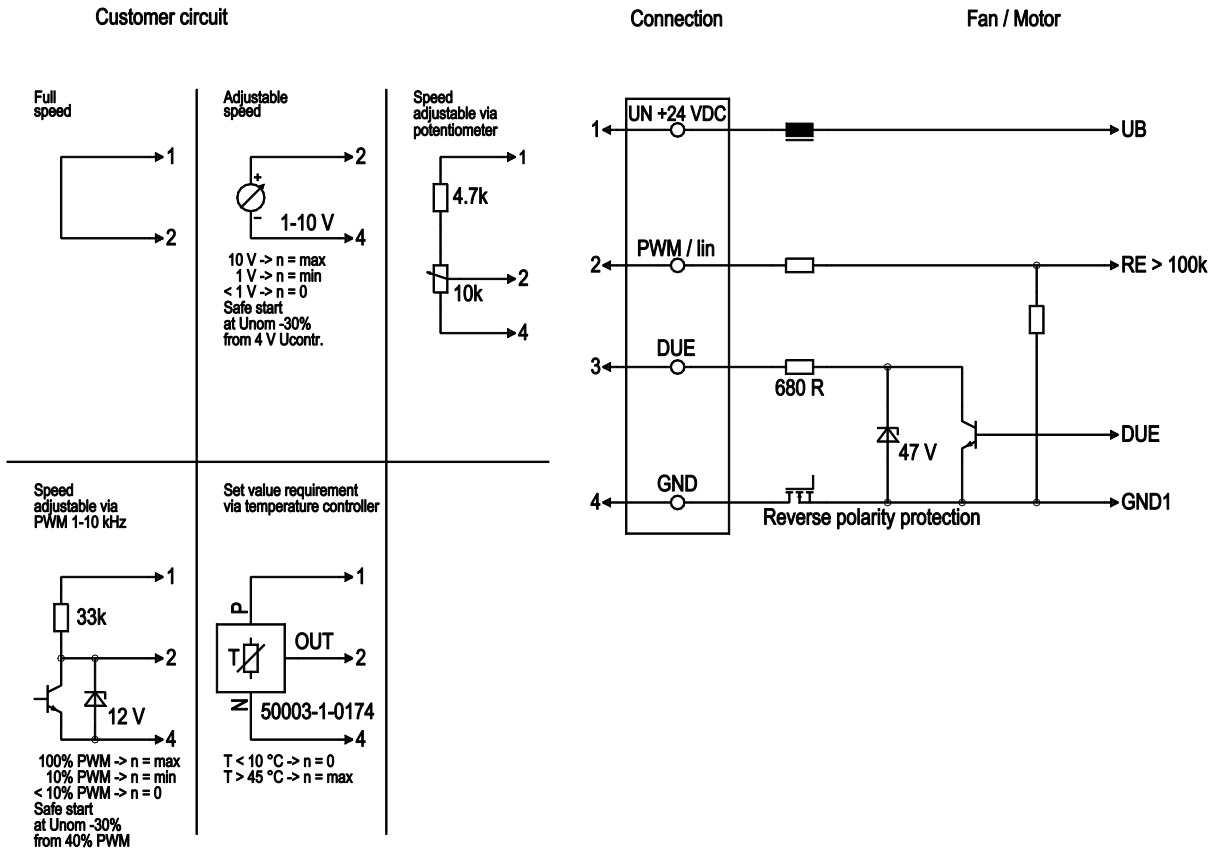


1 Cable PVC AWG20, 4x crimped splices

EC centrifugal fan

forward-curved, dual-intake
with housing (without flange)

Connection diagram

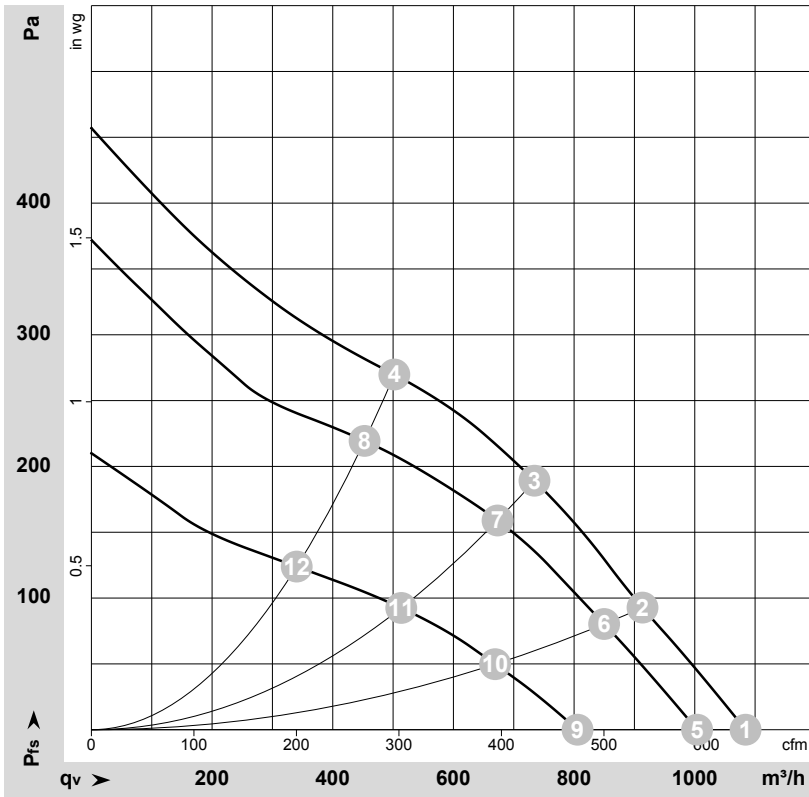


No.	Conn.	Designation	Color	Function/assignment
1	1	Un +24V	red	Power supply 24 VDC, maximum ripple 3.5%
1	2	PWM / lin	yellow	PWM / lin., control input, 0-10 V
1	3	Tach	white	Tach output, 3 pulses per revolution, Isink max = 10 mA
1	4	GND	blue	Reference ground

EC centrifugal fan

forward-curved, dual-intake
with housing (without flange)

Curves: Air performance



$\rho = 1.15 \text{ kg/m}^3 \pm 2 \%$

Measurement: LU-46129-1
Measurement: LU-46128-1
Measurement: LU-46130-1

Air performance measured according to ISO 5801 installation category A. For detailed information on the measurement setup, contact ebm-papst. Intake sound level: Sound power level according to ISO 13347 / sound pressure level measured at 1 m distance from fan axis. The values given are valid under the specified measuring conditions and may vary due to conditions of installation. For deviations from the standard configuration, the parameters have to be checked on the installed unit.

Measured values

	U	n	P _{ed}	I	qv	p _{fs}	qv	p _{fs}
	V	min ⁻¹	W	A	m ³ /h	Pa	CFM	inH ₂ O
1	28	1445	130	5.56	1085	0	640	0.00
2	28	1630	120	4.94	915	92	535	0.37
3	28	1840	111	4.45	735	190	430	0.76
4	28	2115	97	3.81	500	270	295	1.08
5	24	1350	105	5.10	1005	0	590	0.00
6	24	1520	98	4.58	850	80	500	0.32
7	24	1715	90	4.13	675	160	395	0.64
8	24	1940	73	3.38	455	220	265	0.88
9	16	1105	56	3.87	805	0	475	0.00
10	16	1200	49	3.40	670	50	395	0.20
11	16	1325	42	2.93	515	93	305	0.37
12	16	1470	34	2.50	340	124	200	0.50

U = Power supply · n = Speed (rpm) · P_{ed} = Power consumption · I = Current draw · qv = Air flow · p_{fs} = Pressure increase