

Product Data Sheet ACi 4420 HHR

**ebmpapst**

Die Wahl der Ingenieure



**SERVO**  
RECAMBIOS, S.A.

[www.servorecambios.com](http://www.servorecambios.com)  
[www.sr-electricmotors.com](http://www.sr-electricmotors.com)

Barcelona • Telf. (+34) 93 462 08 19 • Fax. (+34) 93 462 07 88

ACi 4420 HHR

INDEX

<b>1</b>	<b>General</b> .....	<b>3</b>
<b>2</b>	<b>Mechanics</b> .....	<b>3</b>
2.1	General.....	3
2.2	Connections.....	4
<b>3</b>	<b>Operating Data</b> .....	<b>5</b>
3.1	Operating Data - Electrical Interface - Input.....	5
3.2	Electrical Operating Data .....	5
3.3	Operating Data - Electrical Interface - Output.....	5
3.4	Electrical Features.....	6
3.5	Aerodynamics.....	6
3.6	Sound Data.....	8
<b>4</b>	<b>Environment</b> .....	<b>8</b>
4.1	General.....	8
4.2	Climatic Requirements*).....	8
<b>5</b>	<b>Safety</b> .....	<b>9</b>
5.1	Electrical Safety.....	9
5.2	Approval Tests .....	9
<b>6</b>	<b>Reliability</b> .....	<b>9</b>
6.1	General.....	9

**1 General**

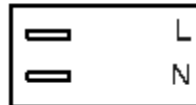
Fan type	Fan
Rotating direction looking at rotor	Clockwise
Airflow direction	Air outlet over struts
Bearing system	Ball bearing
Mounting position	Any

**2 Mechanics****2.1 General**

Width	120,0 mm	
Height	120,0 mm	
Depth	38,0 mm	
Diameter	0,0 mm	
Mass	0,275 kg	
Housing material	Plastic	
Impeller material	Plastic	
Max. torque when mounted across both mounting flanges	wire outlet corner: 50 Ncm remaining corners: 80 Ncm	
Screw size	ISO 4762 - M4 degreased, without an additional brace and without washer	

## 2.2 Connections

Electrical connection	Plug	
Lead wire length	See drawing	
Tolerance		
Tube length	See drawing	
Tolerance		
Wire size (AWG)		
Insulation diameter		
Plug	See drawing	
Contact	See drawing	



### 3 Operating Data

#### 3.1 Operating Data - Electrical Interface - Input

External voltage supply for input and output signals must be SELV conform.

#### 3.2 Electrical Operating Data

Features	Condition	Symbol	Values		
Voltage range	$\Delta p = 0$	U			
Nominal voltage	$\Delta p = 0$	$U_N$		230 V	
Frequency	$\Delta p = 0$	f		50 Hz	
Power consumption Tolerance	$\Delta p = 0$	P		4,4 W +- 20,0 %	
Speed Tolerance	$\Delta p = 0$	n		3.300 1/min +- 10,0 %	

#### 3.3 Operating Data - Electrical Interface - Output

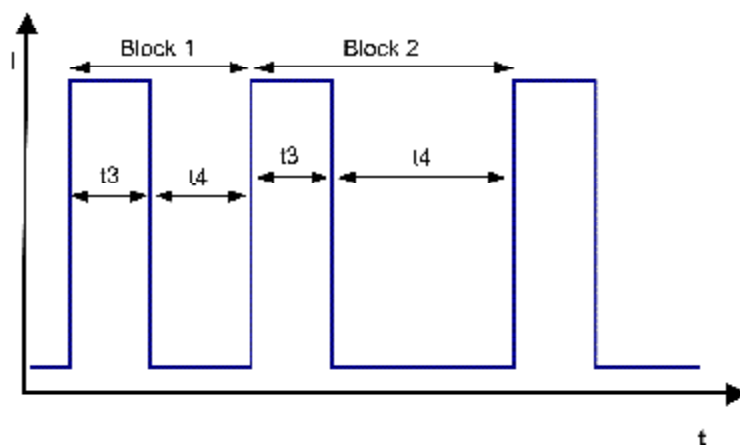
External voltage supply for input and output signals must be SELV conform.

Tacho type	None
------------	------

Alarm type	None
------------	------

### 3.4 Electrical Features

Electronic function	Speed-Controlled	
Locked rotor protection	Auto restart	



### 3.5 Aerodynamics

Measurement conditions:

Measured with a double chamber intake rig acc. to DIN EN ISO 5801.

Normal air density = 1,2 kg/m<sup>3</sup>; Temperature 23°C +/- 3°C;

In the intake and outlet area should not be any solid obstruction within 0,5 m.

The information is only valid under the specified test conditions and may be changed by the installation conditions. If there are deviations from the standard test conditions, the characteristic values must be checked under the installed conditions.

a) Operation condition:

3.300 1/min at free air flow

Frequency: 50 Hz

Nominal voltage: 230 V

Max. free-air flow ( $\Delta p = 0 / \dot{v} = \text{max.}$ )	175,0 m <sup>3</sup> /h
Max. static pressure ( $\Delta p = \text{max.} / \dot{v} = 0$ )	78 Pa

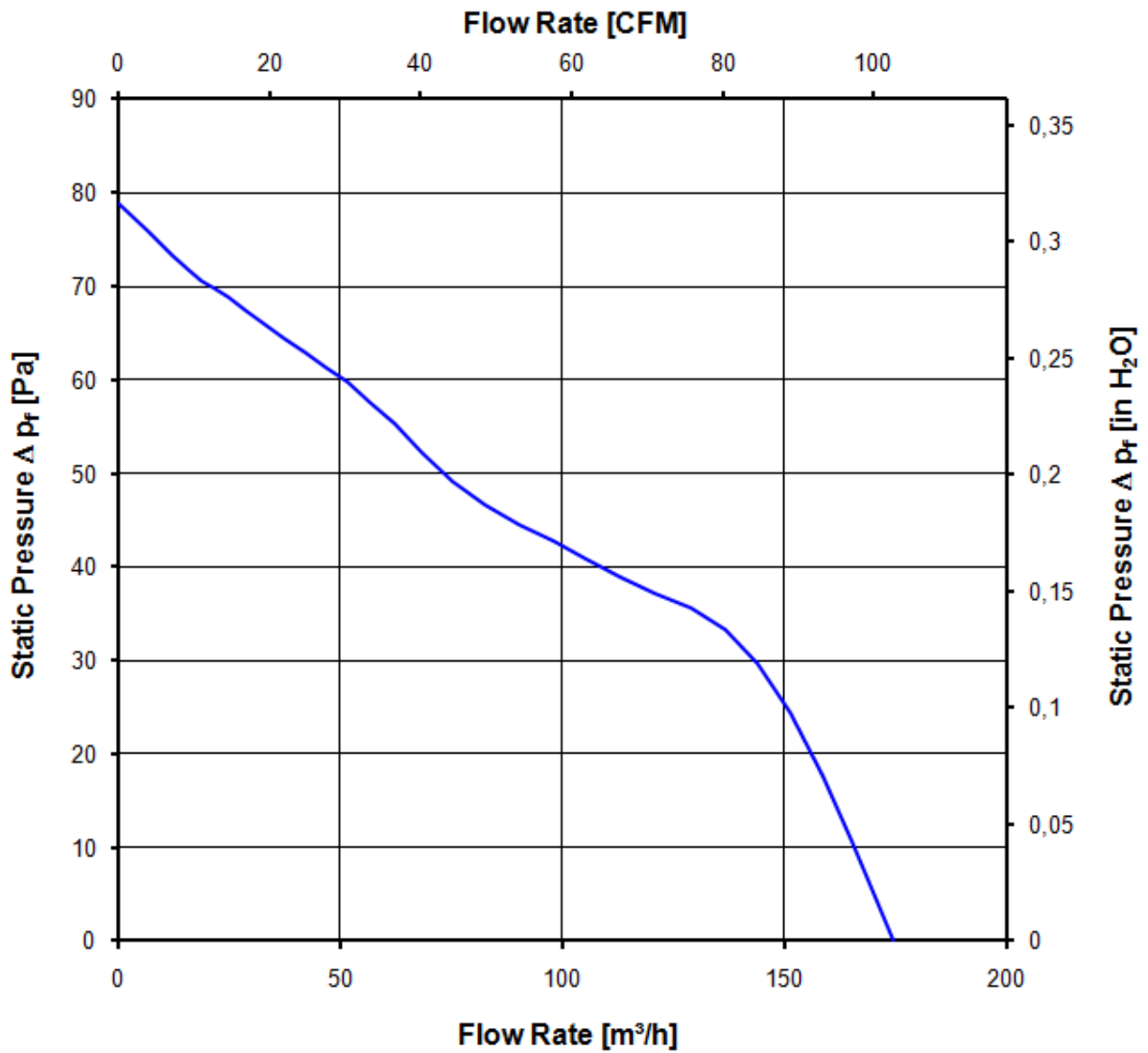
b) Operation condition:

at free air flow

Frequency:

Nominal voltage:

Max. free-air flow ( $\Delta p = 0 / \dot{v} = \text{max.}$ )	
Max. static pressure ( $\Delta p = \text{max.} / \dot{v} = 0$ )	



### 3.6 Sound Data

Measurement conditions: Sound pressure level: 1 Meter distance between microphone and the air intake.  
 Sound power level: Acc. to DIN 45635 part 38 (ISO 10302)  
 Measured in a semianchoic chamber with a background noise level of  $L_p(A) < 5 \text{ dB(A)}$   
 For further measurement conditions see section 3.4

a) Operation condition:  
 3.300 1/min at free air flow                      Frequency: 50 Hz                      Nominal voltage: 230 V

Optimal operating point	142,0 m <sup>3</sup> /h @ 27 Pa	
Sound power level at the optimal operating point	5,5 bel(A)	
Sound pressure level at free air flow, measured in rubber bands	43,0 dB(A)	

b) Operation condition:  
 at free air flow                      Frequency:                      Nominal voltage:

Optimal operating point		
Sound power level at the optimal operating point		
Sound pressure level at free air flow, measured in rubber bands		

## 4 Environment

### 4.1 General

Min. permitted ambient temperature TU min.	-20 °C	
Max. permitted ambient temperature TU max.	75 °C	
Min. permitted storage temperature TL min.	-40 °C	
Max. permitted storage temperature TL max.	80 °C	

### 4.2 Climatic Requirements\*)

Humidity requirements	humid heat, cyclic; according to DIN EN 60068-2-30, 6 cycle	
Water exposure	None	
Dust requirements	Dust check; according to DIN EN 60068-2-68, 6g/m <sup>2</sup> d, 1 day	
Salt fog requirements	None	

\*) Permitted application area:

The product is for the use in sheltered rooms with limited controlled temperature. Occasionally condensed water is allowed. Direct exposure to water must be avoided. Saline ambient conditions must be avoided.

Pollution degree 2 (according DIN EN 60664-1)

It occurs only non-conductive pollution. Occasionally, temporary conductivity caused by condensation occurs.



## 5 Safety

### 5.1 Electrical Safety

A verification of thermal conditions (normal and abnormal operation) as well as the protection against electric shock, ingress of solid foreign objects and water has to be done in conjunction with the appliance.

Test voltage HV type test	3000 V
Unit test voltage	VAC
Time type test HV	1 s
Insulation resistance	RI > 10 MOhm
Protection class	built-in fan

### 5.2 Approval Tests

CE	EC Declaration of Conformity	Yes
EAC	Eurasian Conformity	Yes
UL	Underwriters Laboratories	Yes / UL507, Electric Fans
VDE	Association for Electrical, Electronic and Information Technologies	Yes / Approval acc. to EN 60950 (VDE 0805) - Information technology equipment
CSA	Canadian Standards Association	Yes / C22.2 No. 113 Fans and Ventilators
CCC	China Compulsory Certification	Yes / GB 12350 Safety Requirements for small Power Motors

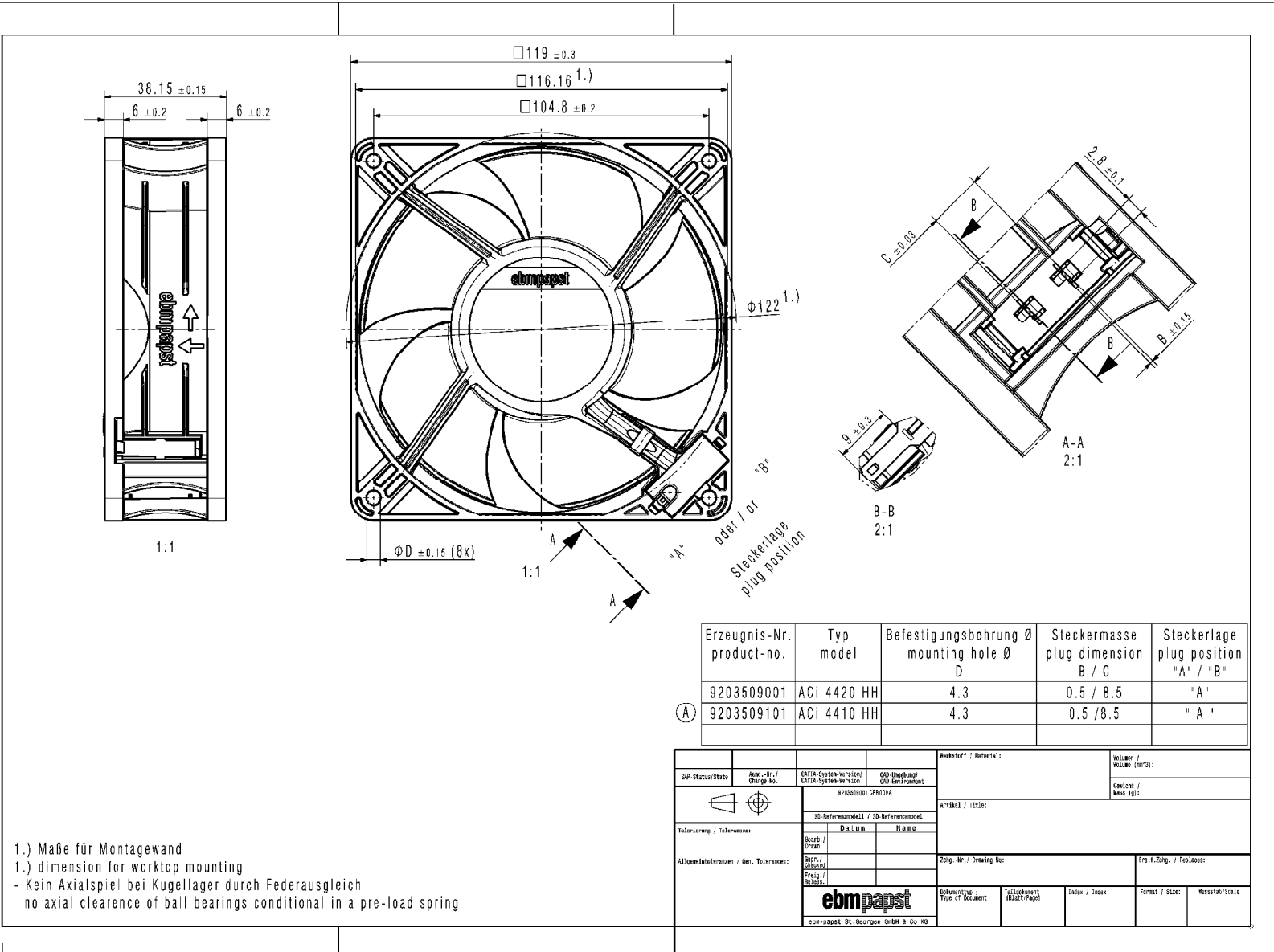
## 6 Reliability

### 6.1 General

Life expectancy L10 at TU = 40 °C	65.000 h	
Life expectancy L10 at TU max.	30.000 h	
Life expectancy L10 Delta (40 °C)	130.000 h	
Life expectancy L10 acc. to IPC 9591 at TU = 40 °C	110.000 h	

Drawing of this document, and parts, it covers and the use or reproduction of the content thereof, are  
 prohibited without the written consent of the manufacturer. The manufacturer shall not be held responsible  
 in the event of the part or parts or the requirements of a clearly stated or not.

Servomotor nach DIN EN ISO 9001  
 Maße in mm, alle Maße sind 30.000



1.) Maße für Montagewand  
 1.) dimension for worktop mounting  
 - Kein Axialspiel bei Kugellager durch Federausgleich  
 no axial clearance of ball bearings conditional in a pre-load spring

Erzeugnis-Nr. product-no.	Typ model	Befestigungsbohrung Ø mounting hole Ø D	Steckermasse plug dimension B / C	Steckerlage plug position "A" / "B"
9203509001	ACi 4420 HH	4.3	0.5 / 8.5	"A"
9203509101	ACi 4410 HH	4.3	0.5 / 8.5	"A"

ERP-Status/Status 3D-Modell / 3D-Modell Tolerierung / Tolerances: Allgemindesterenzen / Gen. Tolerances:	Anz. / Nr. / Change No. CAD-System-Version / CAD-System-Version 3D-Referenzmodell / 3D-Referenzmodell DAXUM Name Bearb. / Drawn Appr. / Checked Freig. / Released	Werkstoff / Material: Volumen / Masse (m³/g): Gewichte / Mass (g): Artikel / title: Zeich.-Nr. / Drawing No.: Erg.-J. / Zög. / Replaces: ebmpapst ebm-papst St. Georgen GmbH & Co KG	Dokument / Type of Document Teilzeichnung / Blatt/Sheet Index / Index Format / Size: Material/Scale
---	---	--	---



[www.servorecambios.com](http://www.servorecambios.com)  
[www.sr-electricmotors.com](http://www.sr-electricmotors.com)  
 Barcelona • Telf. (+34) 93 462 08 19 • Fax. (+34) 93 462 07 88