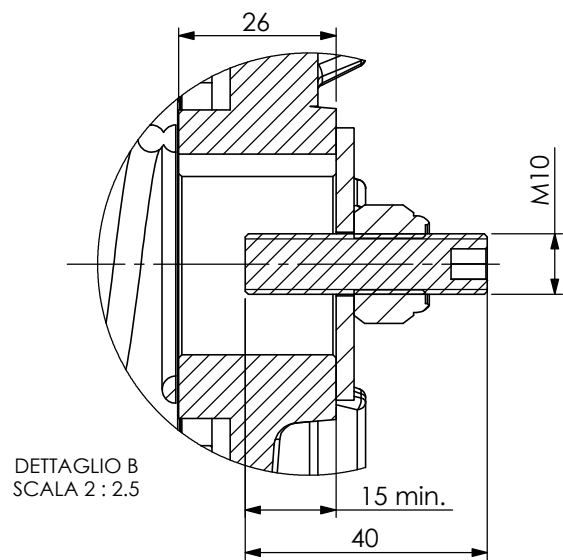


SECTION A-A
SCALE 1 : 2.5



DETTAGLIO B
SCALA 2 : 2.5

CHEMICAL TREATMENT: TERMICAL TREATMENT:		This drawing replaces all previous revisions REV: 10/06/2019 15:18:02							
CHARACTERISTICS DEFINITION:		GENERAL TOLERANCES ACCORDING TO: UNI -EN 22768-cK							
<table border="1"> <thead> <tr> <th>SYMBOL</th> <th>DEFINITION</th> </tr> </thead> <tbody> <tr> <td>∇</td> <td>CRITICAL DIMENSION QUALITY CONTROL BALOON</td> </tr> <tr> <td>\circ</td> <td>STANDARD DIMENSION QUALITY CONTROL BALOON</td> </tr> </tbody> </table>		SYMBOL	DEFINITION	∇	CRITICAL DIMENSION QUALITY CONTROL BALOON	\circ	STANDARD DIMENSION QUALITY CONTROL BALOON	GENERAL Ra: 6.3 / 3.2 / 1.6 / 0.8 <small>PETITICA</small>	
SYMBOL	DEFINITION								
∇	CRITICAL DIMENSION QUALITY CONTROL BALOON								
\circ	STANDARD DIMENSION QUALITY CONTROL BALOON								
MATERIAL:		NON DIMENSIONED EDGES: 0,2x45° DRAWING NAME: <h2>S112 Brake group</h2>							
PESO:		DRAWN BY: SP CHECKED BY: GO SCALE: 1:2.5							
Il presente disegno è proprietà esclusiva di Temporiti srl che si riserva il diritto di apportare modifiche in qualsiasi momento e senza preavviso. Riproduzione vietata senza autorizzazione. This drawing is property of Temporiti srl that reserves the right to make changes at any time and without notice. Reproduction forbidden without permission.		 www.servorecambios.com www.sr-electricmotors.com Barcelona • Tel: (+34) 93 462 03 18 • Fax: (+34) 93 462 07 88							

