

A4D300-AP28-01

AC axial fan

sickled blades (S series)



Nominal data

Type	A4D300-AP28-01				
Motor	M4D068-CF				
Phase		3~	3~	3~	3~
Nominal voltage	[V]	230	230	400	400
Connection		D	D	Y	Y
Frequency	[Hz]	50	60	50	60
Type of data definition		rfa	rfa	rfa	rfa
Valid for approval / standard		CE	CE	CE	CE
Speed	[min ⁻¹]	1370	1540	1370	1540
Power input	[W]	60	75	60	75
Current draw	[A]	0.29	0.26	0.17	0.15
Max. back pressure	[Pa]	90	60	90	60
Max. ambient temperature	[°C]	45	40	45	40

ml = max. load · me = max. efficiency · rfa = running at free air · cs = customer specs · cu = customer unit
Subject to alterations

A4D300-AP28-01

AC axial fan

sickled blades (S series)

Technical features

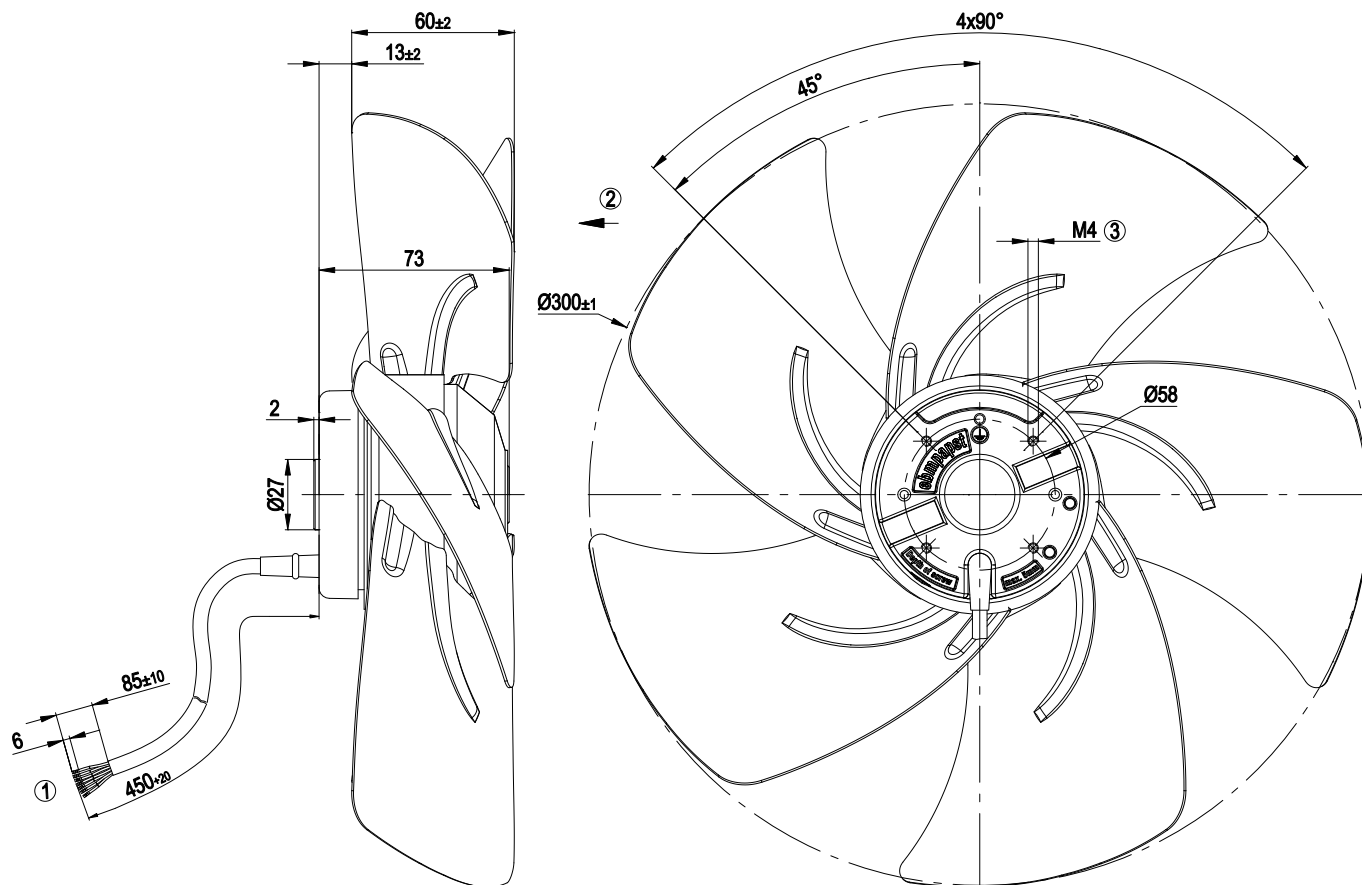
Leakage current	< 0.75 mA
Size	300 mm
Operation mode	S1
Direction of rotation	Counter-clockwise, seen on rotor
Mounting position	Shaft horizontal or rotor on bottom; rotor on top on request
Humidity class	F1-2
Direction of air flow	"V"
Insulation class	"B"
Cable exit	Axial
Condensate discharge holes	Rotor-side
Bearing motor	Ball bearing
Mass	2.1 kg
Material of blades	Sheet steel, coated in black
Surface of rotor	Coated in black
Number of blades	5
Type of protection	IP 44
Protection class	I
Max. permissible ambient motor temp. (transp./ storage)	+ 80 °C
Min. permissible ambient motor temp. (transp./storage)	- 40 °C
Approval	CCC

A4D300-AP28-01

AC axial fan

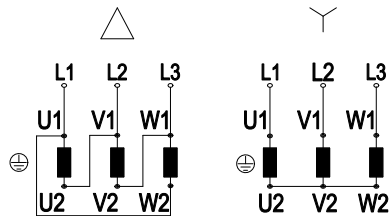
sickled blades (S series)

Product drawing



- | | |
|---|---|
| 1 | Connection line PVC, 7x brass lead tips crimped |
| 2 | Direction of air flow "V" |
| 3 | Depth of screw max. 5 mm |

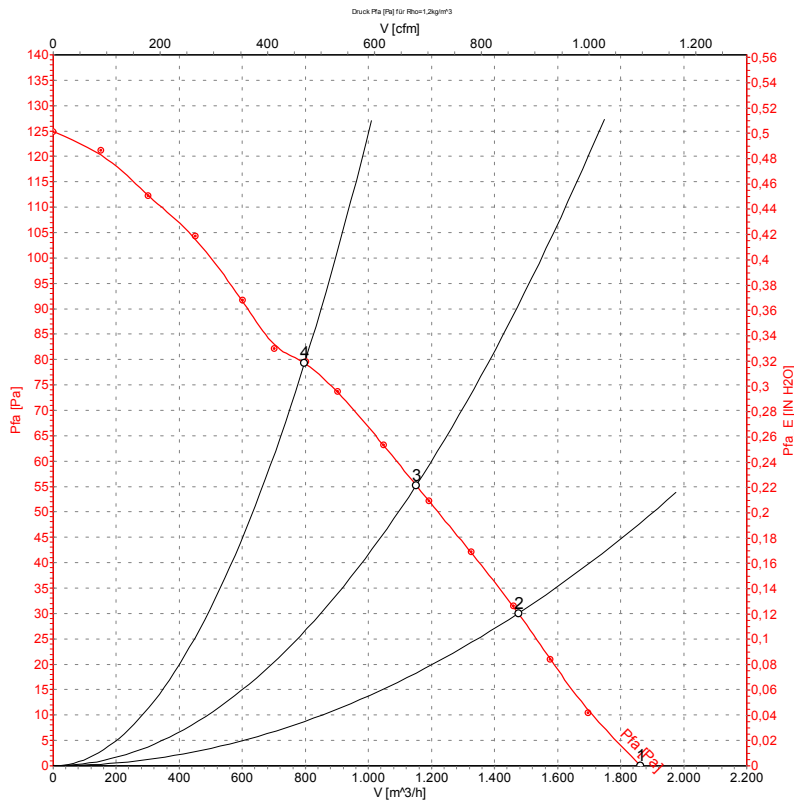
Connection screen



Note: Direction of rotation changes when two phases are reversed

Δ	Delta connection	Y	Star connection	L1	black
L2	blue	L3	brown	U1	black
V1	blue	W1	brown	U2	green
V2	white	W2	yellow		

Charts: Air flow 50 Hz

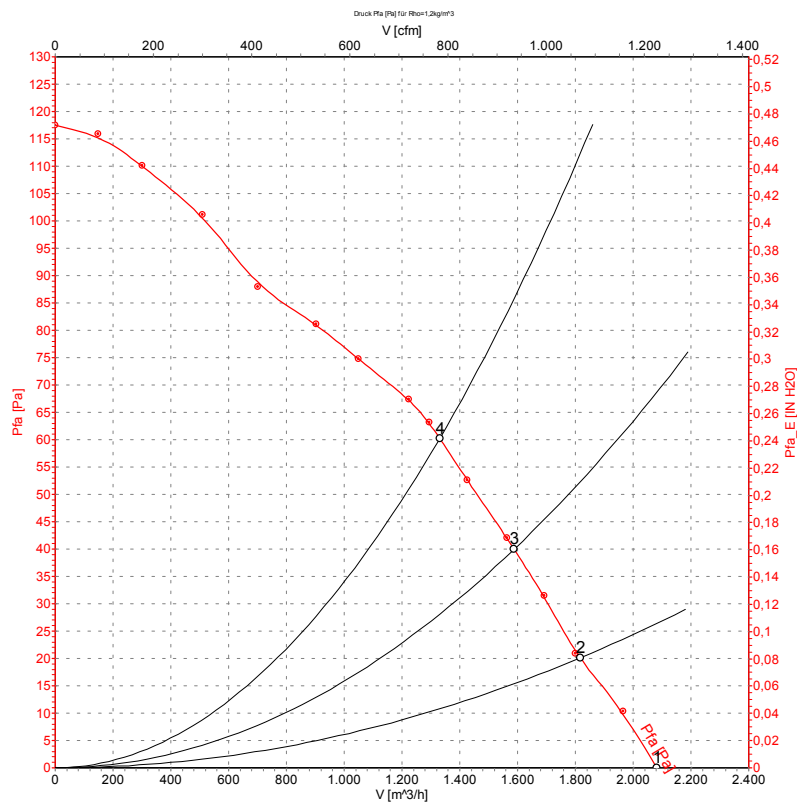


Measurement: LU-60318

Measured values

	U	f	n	P ₁	I	\dot{V}	P _{fa}
	[V]	[Hz]	[min ⁻¹]	[W]	[A]	[m³/h]	[Pa]
1	400	50	1370	60	0.17	1860	0
2	400	50	1350	67	0.17	1475	30
3	400	50	1330	73	0.18	1150	55
4	400	50	1270	87	0.19	795	80

Charts: Air flow 60 Hz



Measurement: LU-60319

Measured values

	U	f	n	P ₁	I	\dot{V}	P _{fa}
	[V]	[Hz]	[min ⁻¹]	[W]	[A]	[m ³ /h]	[Pa]
1	400	60	1540	75	0.15	2080	0
2	400	60	1515	80	0.16	1815	20
3	400	60	1490	85	0.17	1590	40
4	400	60	1455	91	0.17	1330	60