

AC axial fan

straight blades (A series)



Nominal data

Type	A2E300-AC47-02				
Motor	M2E068-EC				
Phase		1~	1~	1~	1~
Nominal voltage	VAC	230	230	230	230
Frequency	Hz	50	60	60	60
Type of data definition		fa	fa	fa	fa
Valid for approval / standard		CE	UL	CSA	CE
Speed	min ⁻¹	2650	2900	2900	2900
Power input	W	140	200	200	190
Current draw	A	0.62	0.88	0.88	0.83
Motor capacitor	μF	5	5	5	5
Capacitor voltage	VDB	400	400	400	400
Capacitor standard			P0 (CE)	UL	
Max. back pressure	Pa	150	150	150	150
Max. ambient temperature	°C	55	50	50	50

ml = max. load · me = max. efficiency · fa = running at free air · cs = customer specs · cu = customer unit
Subject to alterations

Data according to ErP directive

Installation category	A
Efficiency category	Static
Variable speed drive	No
Specific ratio*	1.00

* Specific ratio = $1 + p_{0e} / 100\,000\text{ Pa}$

	Actual	Request 2013	Request 2015
Overall efficiency η_{es}	28.7	24.6	28.6
Efficiency grade N	40.1	36	40
Power input P_e	kW	0.16	
Air flow q_v	m ³ /h	1650	
Pressure increase p_{fs}	Pa	100	
Speed n	min ⁻¹	2565	

Data established at point of optimum efficiency



www.servorecambios.com
www.sr-electricmotors.com

Barcelona • Telf. (+34) 93 462 08 19 • Fax. (+34) 93 462 07 88



AC axial fan

straight blades (A series)

Technical features

Mass	2.5 kg
Size	300 mm
Surface of rotor	Coated in black
Material of impeller	Sheet steel, coated in black
Number of blades	5
Direction of air flow	"A"
Direction of rotation	Clockwise, seen on rotor
Type of protection	IP 44
Insulation class	"B"
Humidity class	F1-2
Max. permissible ambient motor temp. (transp./ storage)	+ 80 °C
Min. permissible ambient motor temp. (transp./storage)	- 40 °C
Mounting position	Shaft horizontal or rotor on bottom; rotor on top on request
Condensate discharge holes	Rotor-side
Operation mode	S1
Motor bearing	Ball bearing
Touch current acc. IEC 60990 (measuring network Fig. 4, TN system)	< 0.75 mA
Motor protection	Thermal overload protector (TOP) wired internally
Cable exit	Variable
Protection class	I (if protective earth is connected by customer)
Product conforming to standard	EN 60335-1; CE
Approval	GOST; CCC

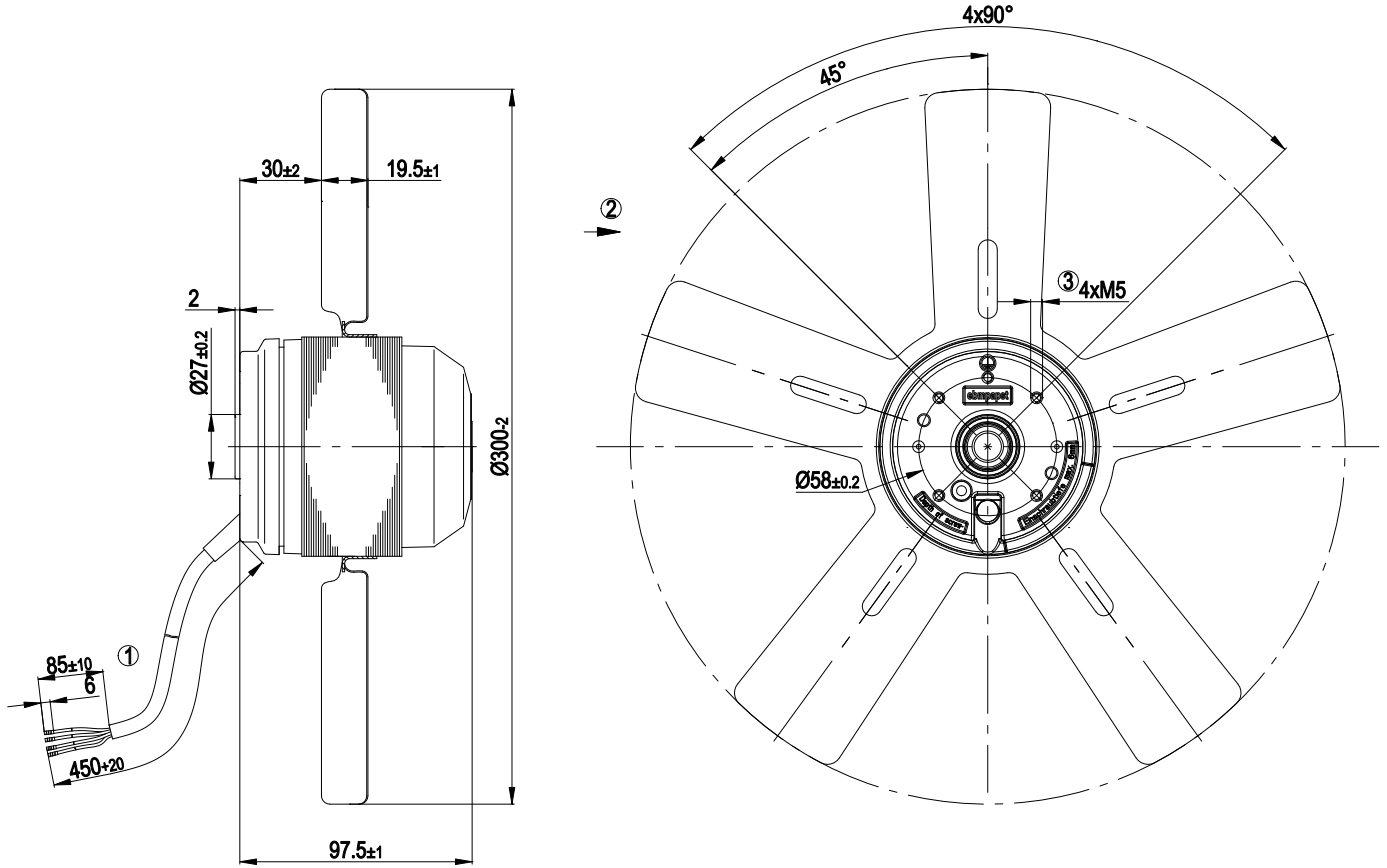


www.servorecambios.com
www.sr-electricmotors.com

Barcelona • Telf. (+34) 93 462 08 19 • Fax. (+34) 93 462 07 88

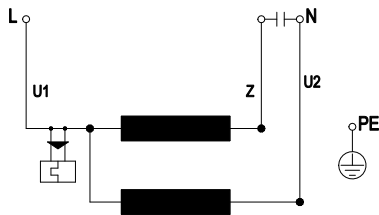


Product drawing



- 1 Connection line PVC 4G 0.5 mm², 4x brass lead tips crimped
- 2 Direction of air flow "A"

Connection screen



U1	blue	Z	brown	U2	black
PE	green/yellow				

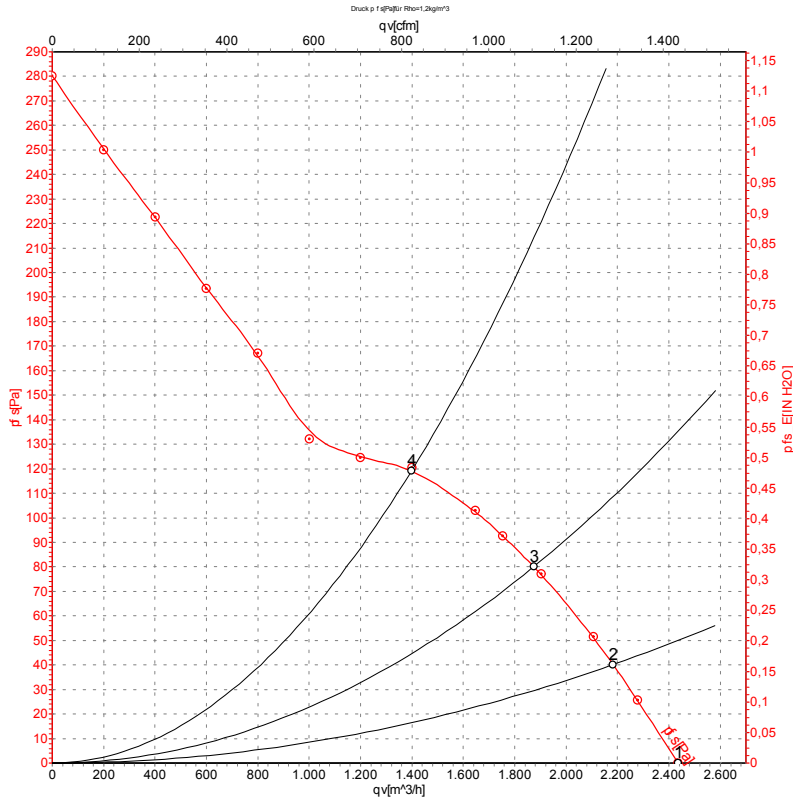


www.servorecambios.com
www.sr-electricmotors.com

Barcelona • Telf. (+34) 93 462 08 19 • Fax. (+34) 93 462 07 88



Charts: Air flow 50 Hz



Measurement: LU-66600

Air performance measured as per ISO 5801 Installation category A. For detailed information on the measuring set-up, please contact ebmpapst. Suction-side noise levels: LwA measured as per ISO 13347 / LpA measured with 1m distance to fan axis. The values given are valid under the measuring conditions mentioned above and may vary according to the actual installation situation. With any deviation from the standard set-up, the specific values have to be checked and reviewed with the unit installed.

Measured values

	U	f	n	Pe	I	qv	Pfs
	V	Hz	min ⁻¹	W	A	m ³ /h	Pa
1	230	50	2650	140	0.62	2435	0
2	230	50	2615	151	0.66	2185	40
3	230	50	2580	158	0.69	1875	80
4	230	50	2560	162	0.71	1400	120

U = Supply voltage · f = Frequency · n = Speed · Pe = Power input · I = Current draw · qv = Air flow · pfs = Pressure increase

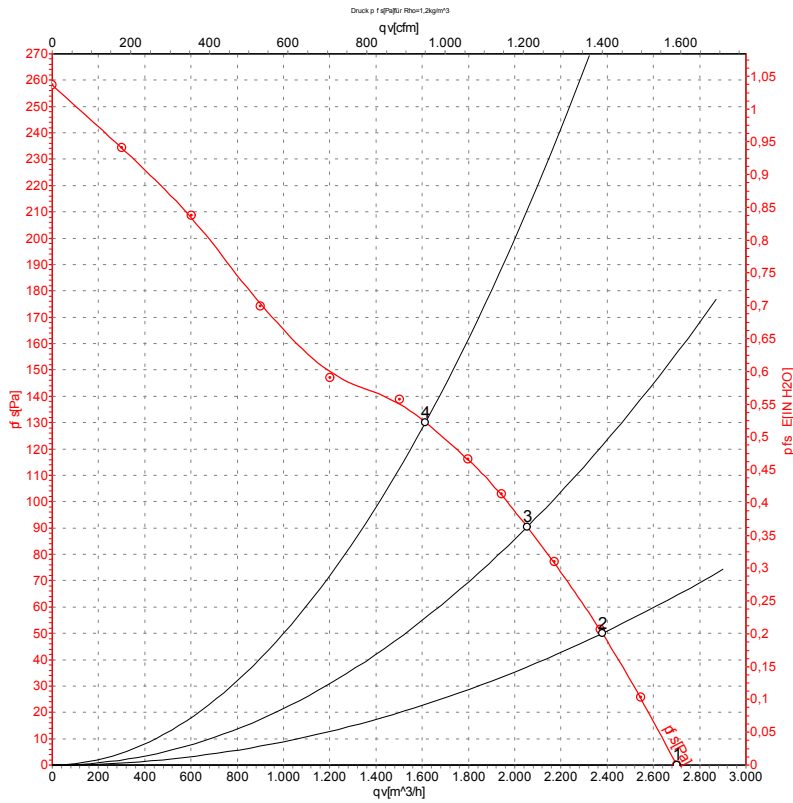


www.servorecambios.com
www.sr-electricmotors.com

Barcelona • Telf. (+34) 93 462 08 19 • Fax. (+34) 93 462 07 88



Charts: Air flow 60 Hz



Measurement: LU-66601

Air performance measured as per ISO 5801 Installation category A. For detailed information on the measuring set-up, please contact ebmpapst. Suction-side noise levels: L_{wA} measured as per ISO 13347 / L_{pA} measured with 1m distance to fan axis. The values given are valid under the measuring conditions mentioned above and may vary according to the actual installation situation. With any deviation from the standard set-up, the specific values have to be checked and reviewed with the unit installed.

Measured values

	U	f	n	P _e	I	qv	P _f s
	V	Hz	min ⁻¹	W	A	m ³ /h	Pa
1	230	60	2900	190	0.83	2700	0
2	230	60	2865	205	0.90	2380	50
3	230	60	2805	213	0.93	2055	90
4	230	60	2755	218	0.95	1615	130

U = Supply voltage · f = Frequency · n = Speed · P_e = Power input · I = Current draw · qv = Air flow · p_fs = Pressure increase



www.servorecambios.com
www.sr-electricmotors.com

Barcelona • Telf. (+34) 93 462 08 19 • Fax. (+34) 93 462 07 88

