

AC axial fan

S series



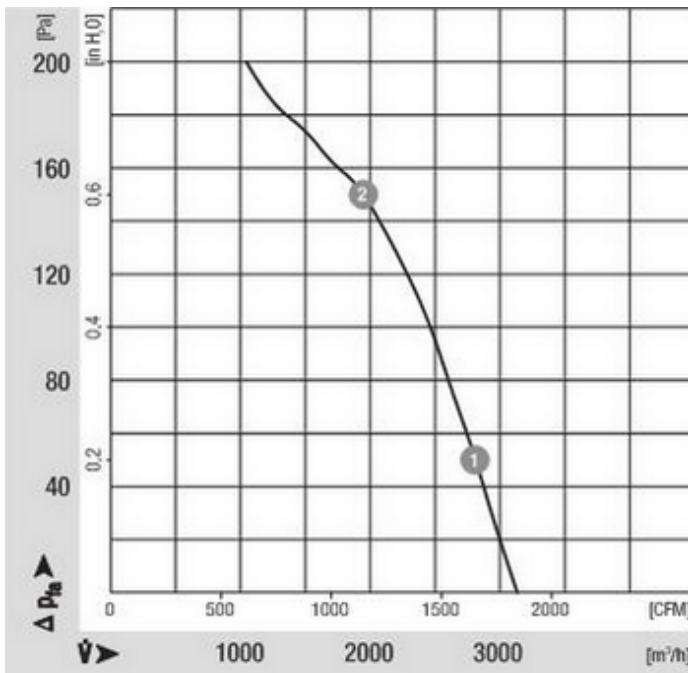
- **Design:** Without guard grille and wall ring
- **Impeller material:** Sheet steel, coated in black
- **Motor material:** Rotor: Coated in black

Nominal data		Voltage	Frequency	Air flow	Speed	Power consumption	Current draw	Sound pressure level	Operative range 50Hz	Ambient temperature 50Hz	Weight
Type	Motor	3- VAC	Hz	m ³ /h	1/min	W	A	dB(A)	Pa	°C	kg
A2D300AP0202	M2D074DF	230/400	50	3130	2580	210	0.36	72	0.. 200	-25 .. 55	3.0

Subject to modification Current draw at 230 VAC higher by a factor of 1.73

Characteristic: Pressure over air flow at 50Hz

n	P ₁	I	LpA	ntL
[1/min]	[W]	[A]	[dBA]	[%]



1	2530	228	0,39	--	--
2	2400	273	0,45	--	--



www.servorecambios.com
www.sr-electricmotors.com

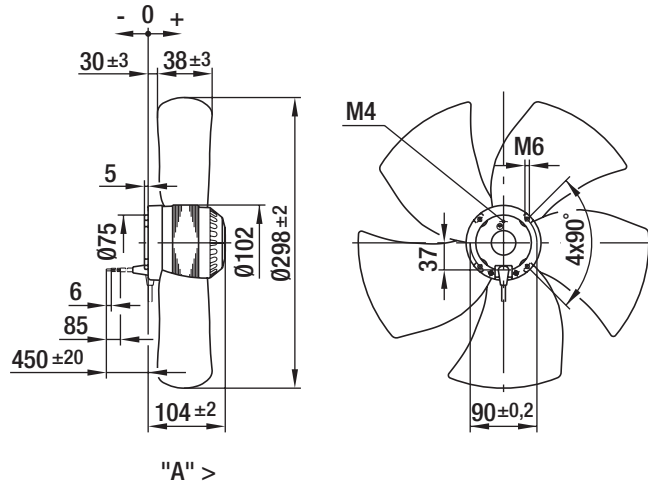
Barcelona • Telf. (+34) 93 462 08 19 • Fax. (+34) 93 462 07 88

ebmpapst

AC axial fan

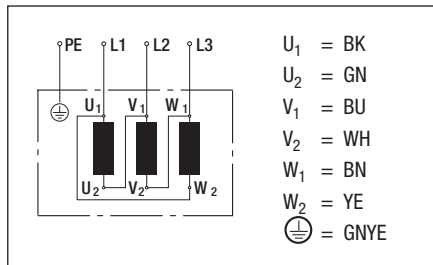
S series

Specific drawing

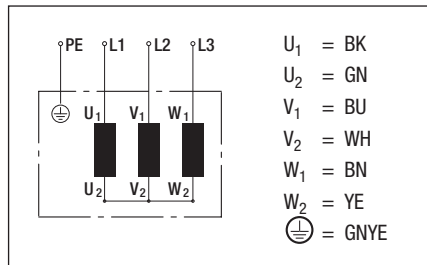


Connection illustration

Delta (3~ 230 VAC)



Star (3~ 400 VAC)



Technical description

- **Design:** Without guard grille and wall ring
- **Motor material:** Rotor: Coated in black
- **Direction of rotation:** Clockwise, seen on rotor
- **Number of impeller blades:** 5
- **Cable layout:** Variable
- **Guideline:** EN 60335-1
- **Insulation class:** "B"
- **System of protection:** IP 44
- **Approvals:** CCC

- **Impeller material:** Sheet steel, coated in black
- **Bearings:** Maintenance-free ball bearings
- **Direction of flow:** "A"
- **Electrical connection:** Brass lead tips
- **Screw depth:** Max. 10 mm
- **Operating mode:** Continuous operation (S1)
- **Protection class:** I
- **Motor protection:** Without thermal protection
- **Option:** With terminal box