

9906

AC axial compact fan



Nominal data

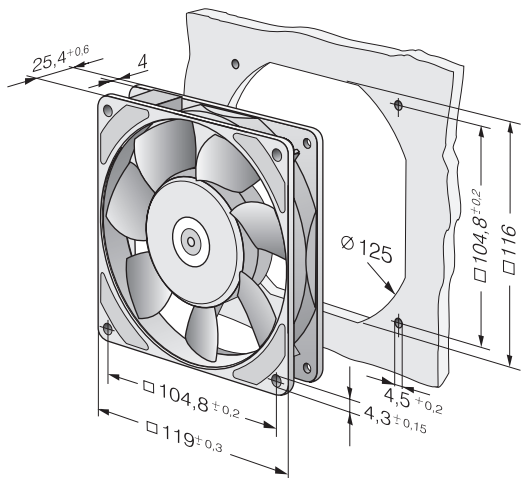
| | | |
|--------------------------|-------------------|------|
| Type | 9906 | |
| Phase | | 1~ |
| Nominal voltage | VAC | 115 |
| Frequency | Hz | 60 |
| Speed | min ⁻¹ | 2850 |
| Power input | W | 12.0 |
| Min. ambient temperature | °C | -40 |
| Max. ambient temperature | °C | 70 |
| Air flow | m ³ /h | 135 |
| Sound power level | B | 5.4 |
| Sound pressure level | dB(A) | 42 |

ml = max. load · me = max. efficiency · fa = running at free air · cs = customer specs · cu = customer unit
Subject to alterations

Technical features

| | |
|--|--|
| General description | AC voltage fan with internal rotor shaded-pole motor. Protected from overload by impedance protection. Fan housing made of metal, impeller made of mineral-reinforced PA plastic. Air exhaust over bars. Direction of rotation counter-clockwise seen on rotor. Electrical connection to 2 flat plugs 2.8 x 0.5 mm. Fan housing with grounding lug for M4 tapping screw. Mass 320 g. Please note our new ACmaxx series. With identical fastening dimensions and voltages, this series achieves higher energy efficiency. |
| Mass | 0.325 kg |
| Dimensions | 119 x 119 x 25 mm |
| Material of impeller | Mineral-reinforced PA plastic |
| Housing material | Metal |
| Direction of air flow | Air exhaust over bars |
| Direction of rotation | Left, looking at rotor |
| Bearing | Ball bearings |
| Lifetime L10 at 40 °C | 52500 h |
| Lifetime L10 at maximum temperature | 25000 h |
| Connection line | 2 flat plugs 2.8 x 0.5 mm |
| Motor protection | Protected from overload using impedance protection |
| Approval | VDE, CSA, UL, CE |

Product drawing



Charts: Air flow

