

8412 NGLV

DC axial compact fan



Nominal data

Type	8412 NGLV	
Nominal voltage	VDC	12
Nominal voltage range	VDC	10 .. 14
Speed	min ⁻¹	1500
Power input	W	1.1
Min. ambient temperature	°C	-20
Max. ambient temperature	°C	70
Air flow	m ³ /h	33
Sound power level	B	3.5
Sound pressure level	dB(A)	12

ml = max. load · me = max. efficiency · rfa = running at free air · cs = customer specs · cu = customer unit
Subject to alterations

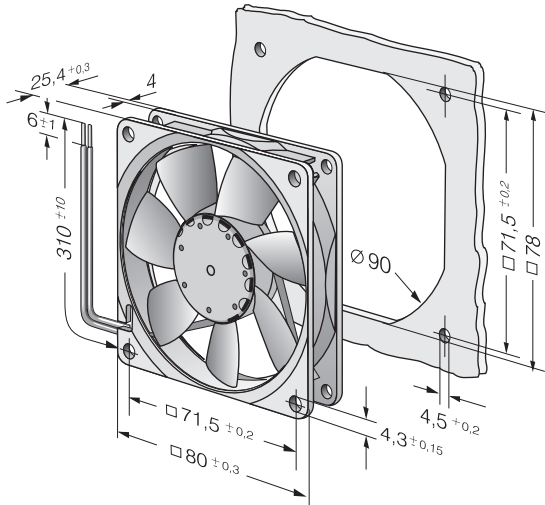
Technical features

Dimensions	80 x 80 x 25 mm
General description	<p>Particular design features:</p> <p>Open loop speed control via (external or internal) temperature sensor. Automatic adaptation of the speed to the cooling requirement.</p> <p>General features:</p> <p>Material: fiberglass-reinforced plastic. Impeller PA, housing PBT. Electronic commutation completely integrated. Protected against reverse polarity and locking. Connection via single strands AWG 24, TR 64, bared and tin-plated. Air exhaust over bars. Direction of rotation counter-clockwise seen on rotor. Mass: 95 g.</p>
Connection line	Single strands AWG 24, TR 64, bared and tin-plated.
Locked-rotor protection	Blocking and overload protection
Direction of rotation	Left, looking at rotor
Direction of air flow	Air exhaust over bars
Bearing	Sintec sleeve bearing
Lifetime L10 at 40 °C	80000 h
Lifetime L10 at maximum temperature	40000 h
Mass	0.095 kg
Housing material	Fiberglass-reinforced PBT plastic
Material of impeller	Fiberglass-reinforced PA plastic
Motor protection	Protected against reverse polarity and locking.
Approval	VDE, CSA, UL, CE

8412 NGLV

DC axial compact fan

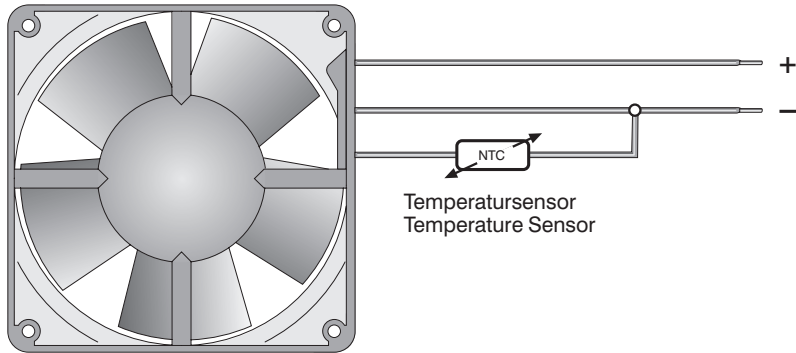
Product drawing



8412 NGLV

DC axial compact fan

Connection screen



Charts: Air flow

