

7114 N

DC axial compact fan



Nominal data

| Type | 7114 N | |
|--------------------------|-------------------|----------|
| Nominal voltage | VDC | 24 |
| Nominal voltage range | VDC | 12 .. 30 |
| Speed | min ⁻¹ | 2850 |
| Power input | W | 12.0 |
| Min. ambient temperature | °C | -25 |
| Max. ambient temperature | °C | 72 |
| Air flow | m ³ /h | 360 |
| Sound power level | B | 6.5 |
| Sound pressure level | dB(A) | 55 |

ml = max. load · me = max. efficiency · rfa = running at free air · cs = customer specs · cu = customer unit
Subject to alterations

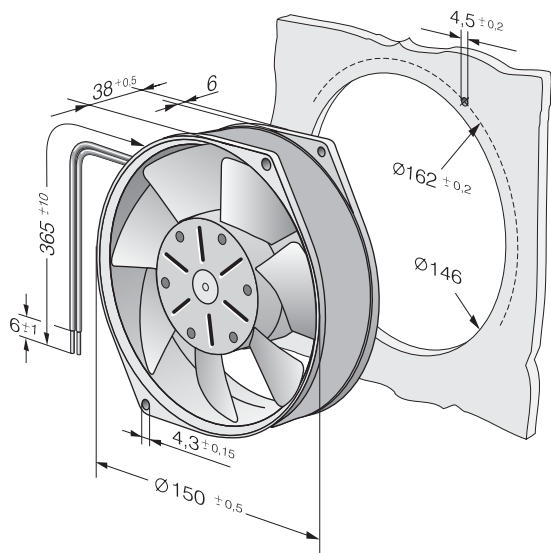
Technical features

| | |
|--|--|
| Dimensions | 150 Ø x 38 mm |
| General description | <p>General features:</p> <p>Material: Housing and impeller made of aluminium; housing with grounding lug for M4 x 8 screw (Torx).</p> <p>Electronic commutation completely integrated.</p> <p>Protected against reverse polarity and locking.</p> <p>Connection via single strands AWG 22, TR 64, bared and tin-plated.</p> <p>Air exhaust over bars. Direction of rotation counter-clockwise seen on rotor.</p> <p>Mass: 620 g.</p> |
| Connection line | Single strands AWG 22, TR 64, bared and tin-plated. |
| Locked-rotor protection | Electronic blocking protection |
| Direction of rotation | Left, looking at rotor |
| Direction of air flow | Inlet over bars |
| Bearing | Ball bearings |
| Lifetime L10 at 40 °C | 80000 h |
| Lifetime L10 at maximum temperature | 37500 h |
| Mass | 0.620 kg |
| Housing material | Aluminum. Housing with grounding lug for screw M4 x 8 (TORX). |
| Material of impeller | Aluminum |
| Motor protection | Protected against reverse polarity and locking. |
| Approval | VDE, CSA, UL, CE |

7114 N

DC axial compact fan

Product drawing



Charts: Air flow

