

634 HHU

DC axial fan



Nominal data

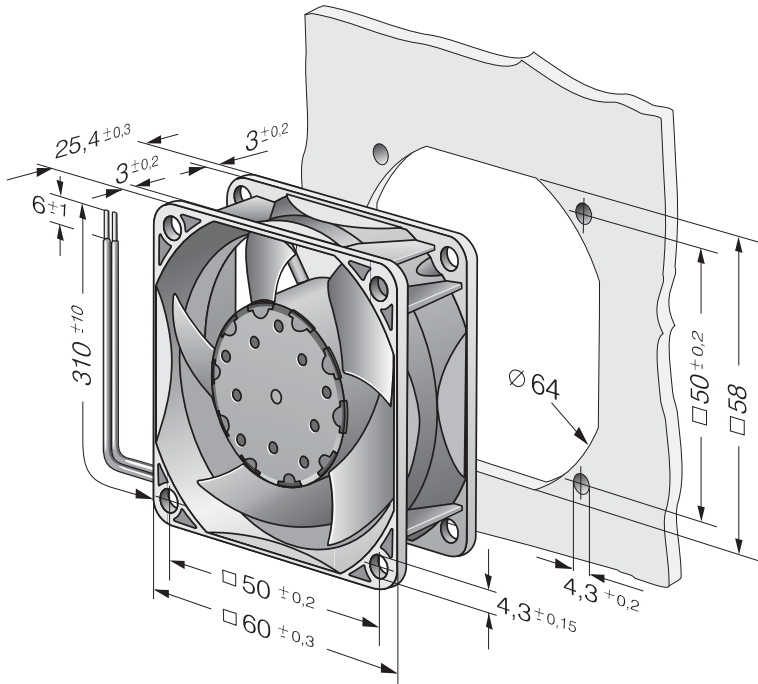
Type	634 HHU	
Nominal voltage	VDC	24
Nominal voltage range	VDC	18 .. 28
Speed (rpm)	min ⁻¹	8500
Current draw	A	58
Max. ambient temperature	°C	70
Air flow	m ³ /h	58
Sound power level	B	6.1
Sound pressure level	dB(A)	44

ml = Max. load · me = Max. efficiency · fa = Free air · cs = Customer specification · ce = Customer equipment
Subject to change

Technical description

General description	Developed for applications with high environmental requirements
Weight	0.7 kg
Dimensions	60 x 60 x 25 mm
Airflow direction	Exhaust over struts
Direction of rotation	Clockwise, viewed toward rotor
Storage	Ball bearing
Service life L10 at 40 °C	75000 h
Service life L10 at maximum temperature	37500 h
Cable	With leads AWG 22, TR 64

Product drawing



Curves

