

6318 /2 TDHHP

## DC axial compact fan



### Nominal data

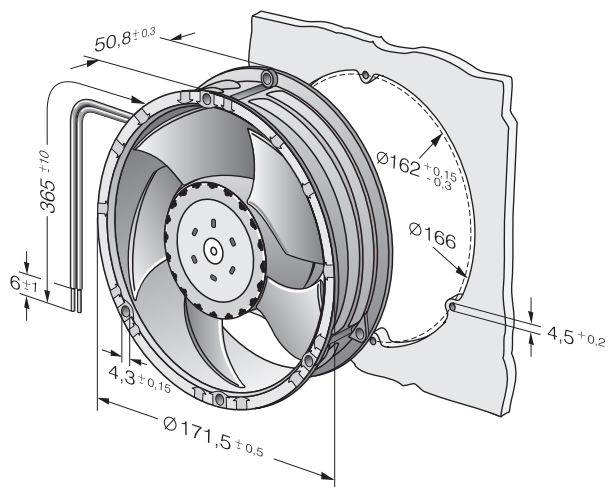
Type	6318 /2 TDHHP	
Nominal voltage	VDC	48
Nominal voltage range	VDC	36 .. 72
Speed	min <sup>-1</sup>	7000
Power input	W	67
Min. ambient temperature	°C	-20
Max. ambient temperature	°C	75
Air flow	m <sup>3</sup> /h	710
Sound power level	B	7.9
Sound pressure level	dB(A)	69

ml = Max. load · me = Max. efficiency · fa = Running at free air · cs = Customer specs · cu = Customer unit  
Subject to alterations

### Technical features

<b>General description</b>	3-phase fan drive, very smooth running and highly efficient Housing with grounding lug for M4x8 screw (Torx)
<b>Mass</b>	0.910 kg
<b>Dimensions</b>	172 Ø x 51 mm
<b>Material of impeller</b>	Fibreglass-reinforced plastic (PA)
<b>Housing material</b>	Die-cast aluminium
<b>Direction of air flow</b>	Air exhaust over bars
<b>Direction of rotation</b>	Counterclockwise, looking at rotor
<b>Bearing</b>	Ball bearings
<b>Lifetime L10 at 40 °C</b>	62500 h
<b>Lifetime L10 at maximum temperature</b>	25000 h
<b>Connection line</b>	Via single strands AWG 18, 20 or AWG 22, TR 64, speed signal and control input AWG 22
<b>Motor protection</b>	Protected against reverse polarity and locking.

## Product drawing



## Charts

