



### Nominal data

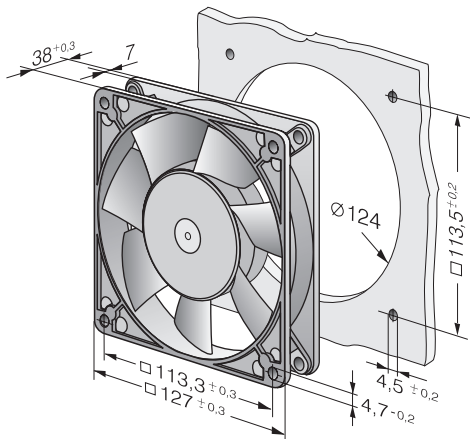
Type	5958	
Phase		1~
Nominal voltage	VAC	230
Frequency	Hz	50
Speed	min <sup>-1</sup>	2750
Power input	W	18.0
Min. ambient temperature	°C	-30
Max. ambient temperature	°C	60
Air flow	m <sup>3</sup> /h	180
Sound power level	B	5.5
Sound pressure level	dB(A)	44

ml = max. load · me = max. efficiency · rfa = running at free air · cs = customer specs · cu = customer unit  
Subject to alterations

### Technical features

<b>Dimensions</b>	127 x 127 x 38 mm
<b>General description</b>	<p>AC voltage fan with internal rotor shaded-pole motor. Protected from overload by impedance protection.</p> <p>Fan housing made of metal. Impeller made of fiberglass-reinforced PA plastic.</p> <p>Air exhaust over bars. Direction of rotation counter-clockwise seen on rotor.</p> <p>Electrical connection to 2 flat plugs 2.8 x 0.8 mm.</p> <p>Fan housing with grounding lug and tapping screw M4 x 6 (TORX).</p> <p>Mass 570 g.</p> <p>Please note our new ACmaxx series. With identical fastening dimensions and voltages, this series achieves higher energy efficiency.</p>
<b>Connection line</b>	2 flat plugs 2.8 x 0.8 mm. Fan housing with grounding lug and tapping screw M4 x 6 (TORX).
<b>Direction of rotation</b>	Left, looking at rotor
<b>Direction of air flow</b>	Air exhaust over bars
<b>Bearing</b>	Ball bearings
<b>Lifetime L10 at 40 °C</b>	40000 h
<b>Lifetime L10 at maximum temperature</b>	25000 h
<b>Mass</b>	0.570 kg
<b>Housing material</b>	Metal
<b>Material of impeller</b>	Fiberglass-reinforced PA plastic
<b>Motor protection</b>	Protected from overload using impedance protection
<b>Approval</b>	VDE, CSA, UL, CE

## Product drawing



## Charts: Air flow

