

## 4GDS25 133x190L

## P/N Y43-09

Substitute for Q07-32

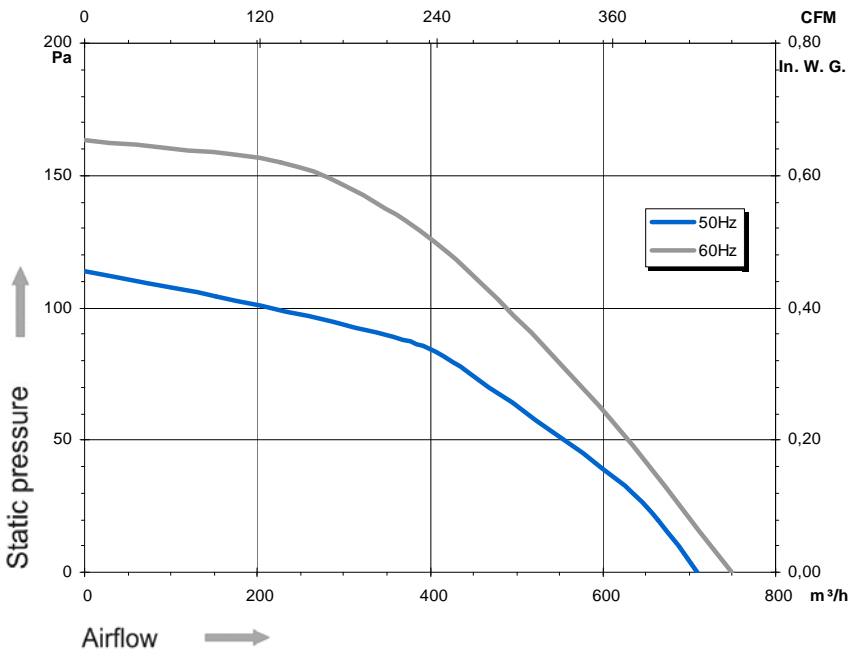
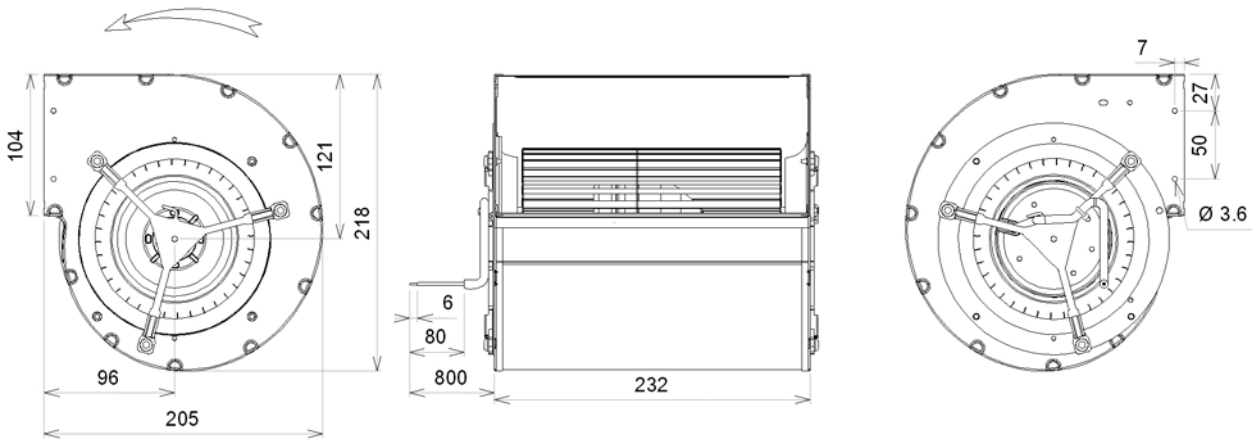


Voltage	Frequency	Input power	Current	Capacitor	Airflow	Speed rotation	Noise level	Rotation direction	Operating temperature	ErP 2013	ErP 2015
V	Hz	Wa	A	µF	m³/h	RPM	dBA	↻	Min / Max		
230	50	82	0,36	2,0	710	1 130	55	L	-20°C / +70°C	NA	NA
230	60	98	0,43	2,0	750	1 120	56	L	-20°C / +70°C		
230	50				417 CFM				-4°F / +158°F		
230	50				441 CFM				-4°F / +158°F		

dBa : free let out

NA : Not Applicable

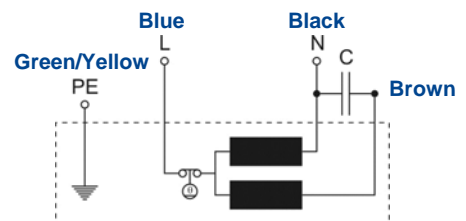
Rotation "CCW"



- Weight : 3,4 Kg
- Ball bearing
- Class F, thermally protected
- IP44 protection depending on installation and position as per EN60034-5
- G2.5 balancing
- Scroll housing : black paint
- Galvanized steel impeller



Capacitor for 50Hz	Capacitor for 60Hz	Finger guard	Connector
19008	19008	21338	09145



Non contractual document. All specifications are subject to change without prior notice. Picture for information only.