

4418 F

DC axial compact fan



Nominal data

Type	4418 F	
Nominal voltage	VDC	48
Nominal voltage range	VDC	28 .. 53
Speed	min ⁻¹	2900
Power input	W	5.5
Min. ambient temperature	°C	-20
Max. ambient temperature	°C	60
Air flow	m ³ /h	170
Sound power level	B	5.3
Sound pressure level	dB(A)	43

ml = max. load · me = max. efficiency · rfa = running at free air · cs = customer specs · cu = customer unit
Subject to alterations

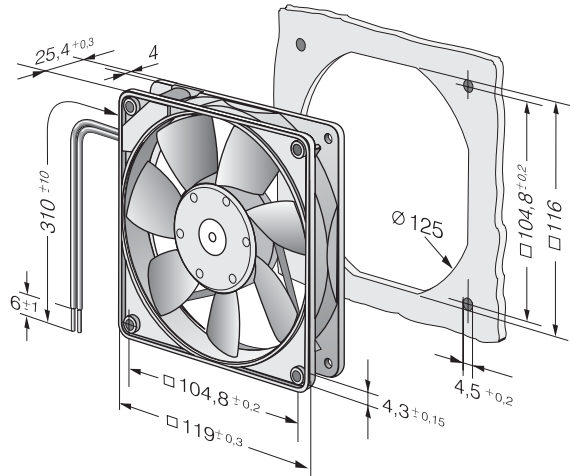
Technical features

Dimensions	119 x 119 x 25 mm
General description	<p>Particular design features:</p> <p>Ball bearings and sleeve bearings available.</p> <p>Open loop speed control on request.</p> <p>Tachometer and alarm on request.</p> <p>General features:</p> <p>Material: fiberglass-reinforced plastic. Impeller PA, housing PBT.</p> <p>Electronic commutation completely integrated.</p> <p>Protected against reverse polarity and locking.</p> <p>Connection via single strands AWG 24, TR 64, bared and tin-plated.</p> <p>Air exhaust over bars. Direction of rotation counter-clockwise seen on rotor.</p> <p>Mass: 175 g.</p>
Connection line	Single strands AWG 24, TR 64, bared and tin-plated.
Locked-rotor protection	Blocking and overload protection
Direction of rotation	Left, looking at rotor
Direction of air flow	Air exhaust over bars
Bearing	Ball bearings
Lifetime L10 at 40 °C	60000 h
Lifetime L10 at maximum temperature	37500 h
Mass	0.175 kg
Housing material	Fiberglass-reinforced PBT plastic
Material of impeller	Fiberglass-reinforced PA plastic
Motor protection	Protected against reverse polarity and locking.
Approval	VDE, CSA, UL, CE

4418 F

DC axial compact fan

Product drawing



Charts: Air flow

