

4114 NH4

DC axial compact fan



Nominal data

| Type | 4114 NH4 | |
|--------------------------|-------------------|----------|
| Nominal voltage | VDC | 24 |
| Nominal voltage range | VDC | 16 .. 30 |
| Speed | min ⁻¹ | 6800 |
| Power input | W | 30 |
| Min. ambient temperature | °C | -20 |
| Max. ambient temperature | °C | 65 |
| Air flow | m ³ /h | 355 |
| Sound power level | B | 7.4 |
| Sound pressure level | dB(A) | 67 |

ml = max. load · me = max. efficiency · fa = running at free air · cs = customer specs · cu = customer unit
Subject to alterations

4114 NH4

DC axial compact fan

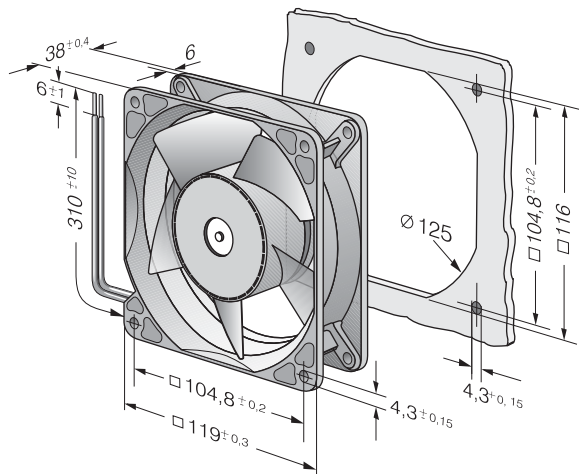
Technical features

| | |
|--|--|
| Mass | 0.390 kg |
| Dimensions | 119 x 119 x 38 mm |
| Material of impeller | Fiberglass-reinforced PA plastic |
| Housing material | Aluminum with grounding lug for screw M4 x 8 (TORX). |
| Direction of air flow | Inlet over bars |
| Direction of rotation | Clockwise, looking at rotor |
| Bearing | Ball bearings |
| Lifetime L10 at 40 °C | 62500 h |
| Lifetime L10 at maximum temperature | 35000 h |
| Connection line | Single strands AWG 22, UL 1007, TR 64, bared and tin-plated. |
| Motor protection | Protected against reverse polarity and locking. |

4114 NH4

DC axial compact fan

Product drawing



Charts: Air flow

