

3956 L

AC axial compact fan



Nominal data

Type	3956 L	
Phase		1~
Nominal voltage	VAC	230
Frequency	Hz	50
Speed	min ⁻¹	1550
Power input	W	6.0
Min. ambient temperature	°C	-40
Max. ambient temperature	°C	80
Air flow	m ³ /h	31
Sound power level	B	3.8
Sound pressure level	dB(A)	24

ml = Max. load · me = Max. efficiency · fa = Running at free air · cs = Customer specs · cu = Customer unit
Subject to alterations

3956 L

AC axial compact fan

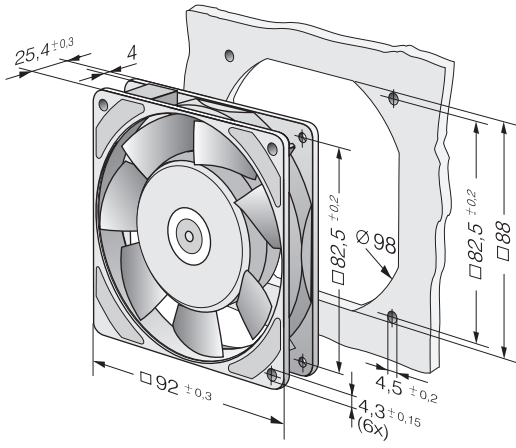
Technical features

Mass	0.280 kg
Dimensions	92 x 92 x 25 mm
Material of impeller	Mineral-reinforced PA plastic
Housing material	Metal
Direction of air flow	Air exhaust over bars
Direction of rotation	Left, looking at rotor
Bearing	Ball bearings
Lifetime L10 at 40 °C	70000 h
Lifetime L10 at maximum temperature	27500 h
Connection line	2 flat plugs 2.8 x 0.5 mm. Housing with grounding lug for M4 screw
Motor protection	Protected from overload using impedance protection
Approval	VDE, CSA, UL, CE

3956 L

AC axial compact fan

Product drawing



Charts: Air flow

