



2RRE45 250x50R

L47-A3 p



**DATA SHEET**

release. c - Revision 02-2014

Replace H06-17 p



Voltage	Frequency	Absorbed Power	Absorbed Current	Capacitor	Airflow	Rotation speed	Acoustic level	Rotation	Operational Temperature
V	Hz	W	A	μF	m <sup>3</sup> /h	RPM	dBA		Min/Max
230	50	156	0,68	6,0	1415	2775	73	R	-20°C / +70°C
230	60	230	1,02	6,0	1610	3160	76	R	-20°C / +70°C
230	50				832 CFM				-4°F / 158°F
230	60				947 CFM				-4°F / 158°F

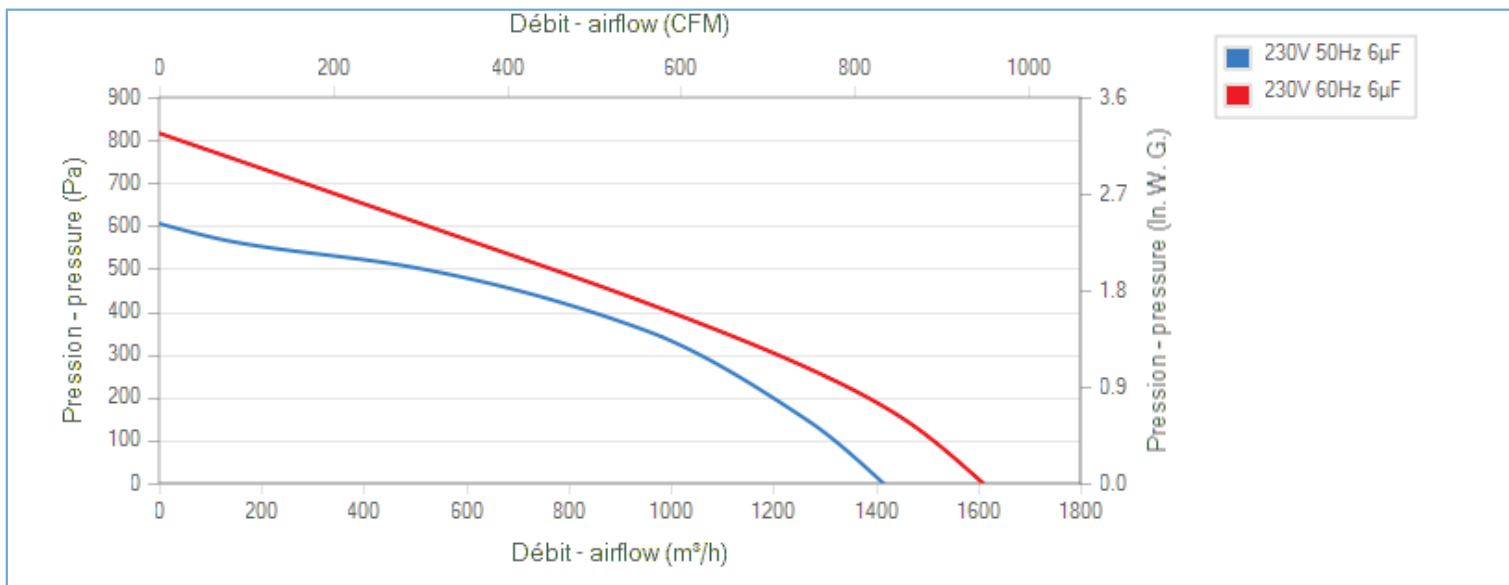
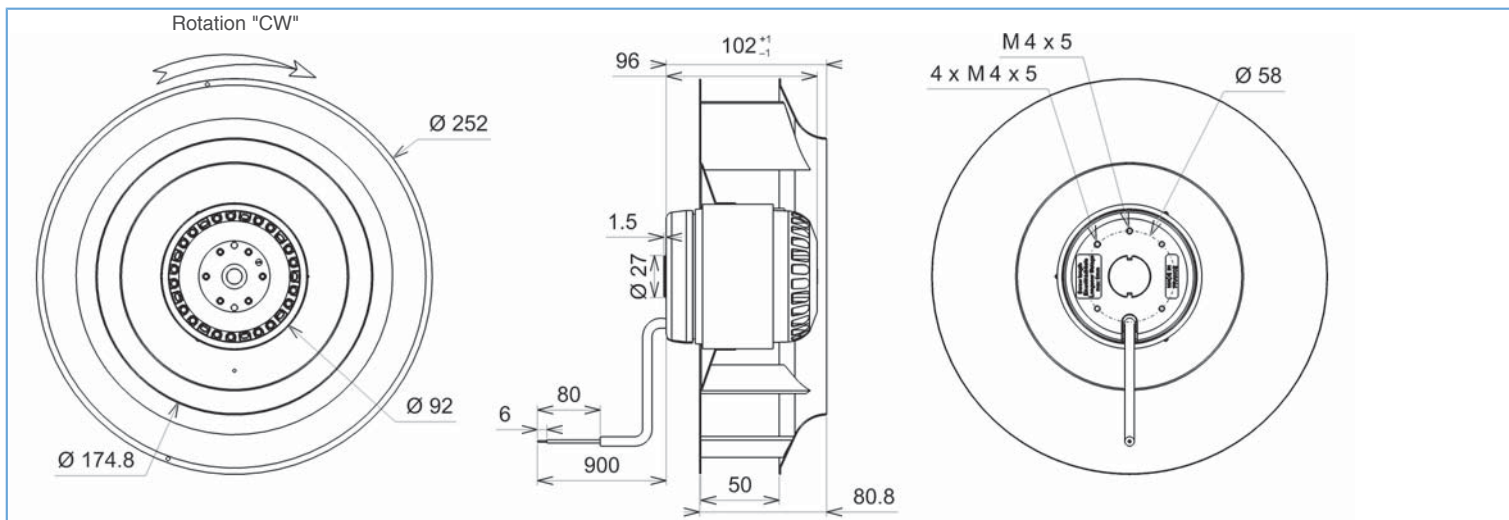
dBA : free blowing

ErP 2013

OK

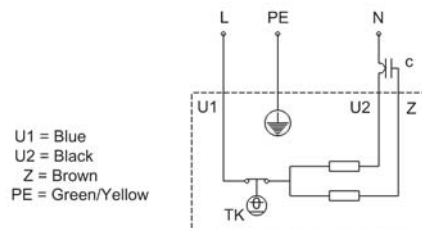
ErP 2015

OK



**Description**

- .Weight : 3,4 Kg
- .Ball bearing
- .Class F, thermally protected
- .IP44 protection depending on installation and position as per EN60034-5
- .G2.5 balancing
- .Rotor : black paint
- .Galvanized steel impeller



[www.servorecambios.com](http://www.servorecambios.com)  
[www.sr-electricmotors.com](http://www.sr-electricmotors.com)

Barcelona • Telf. (+34) 93 462 08 19 • Fax. (+34) 93 462 07 88

Non contractual document. All specifications are subject to change without prior notice. Picture for information only.



2RRE45 250x50R

L47-A3 p



**DATA SHEET**

release. c - Revision 02-2014

Replace H06-17 p

**Data in accordance to ErP directive**

Voltage	230	V
Frequency	50	Hz
Power	0,212	kW <sup>(1)</sup>
Airflow	949	m <sup>3</sup> /h <sup>(1)</sup>
Pressure	357	Pa <sup>(1)</sup>
Rotation speed	2620	RPM <sup>(1)</sup>

(1) at optimal efficiency point

	Actual	Request 2013	Request 2015
Overall efficiency ( $\eta$ )	44,5	40,4	44,4
Efficiency grade	62	58	62
Installation category	A		
Efficiency category	static		
Variable speed drive	No		
Specific ratio	1,00		

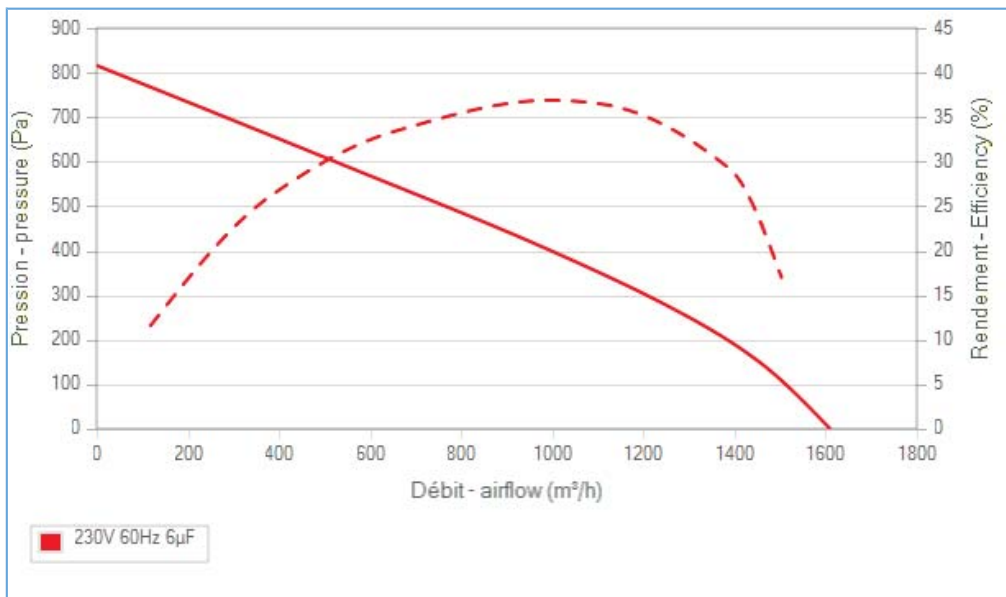
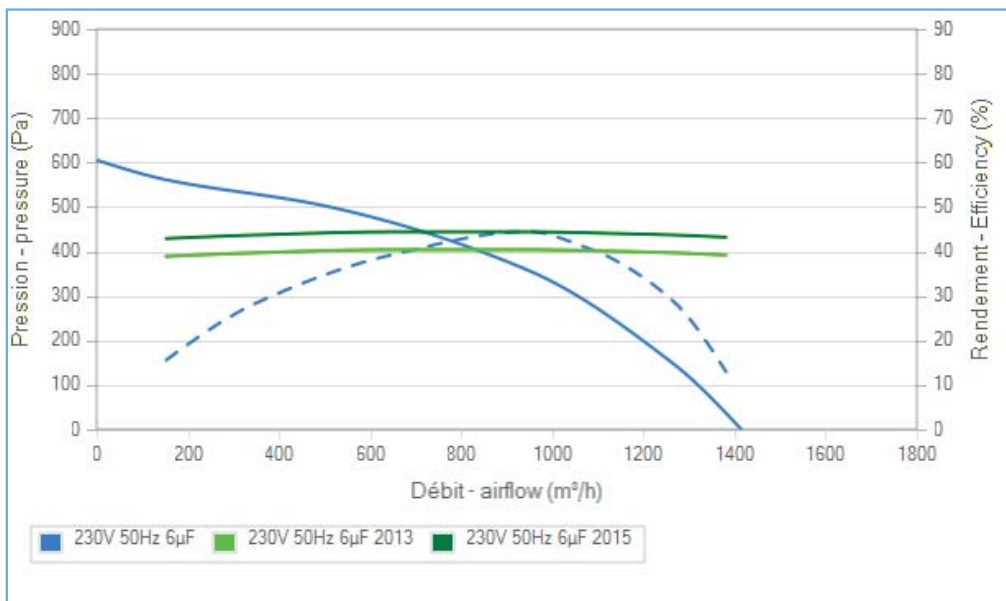
Designed for regular application according ErP directive EU 2009/125/EC

**Accessories**

Capacitor for 50Hz	19016
Capacitor for 60Hz	19016
Inlet cone	16234

**Measurement setup**

16234



Non contractual document. All specifications are subject to change without prior notice. Picture for information only.



[www.servorecambios.com](http://www.servorecambios.com)  
[www.sr-electricmotors.com](http://www.sr-electricmotors.com)

Barcelona • Telf. (+34) 93 462 08 19 • Fax. (+34) 93 462 07 88