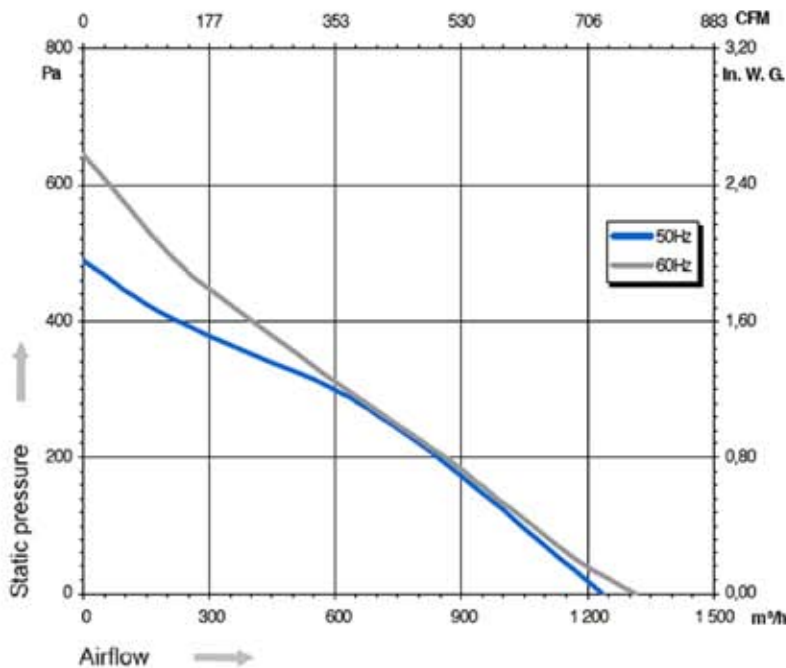
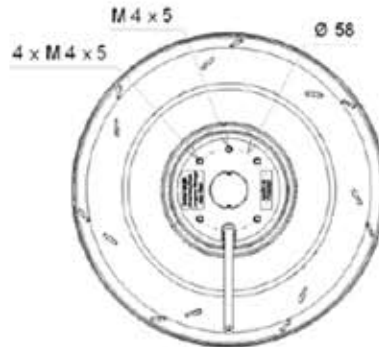
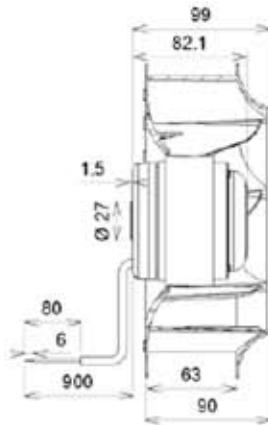
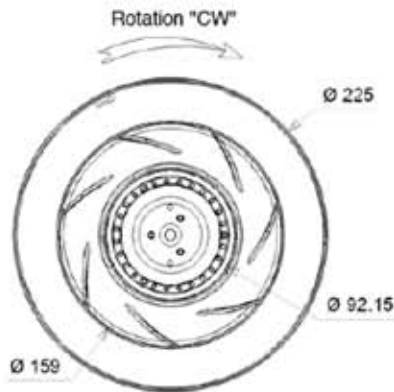
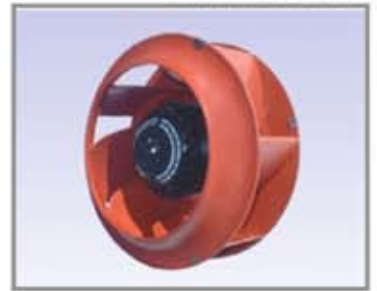


Ind. b - Revision : 11-2008

## 2RRE35 225x63R P/N B28-A1

Substitute for T11-02

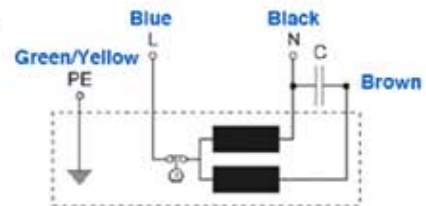
Voltage	Frequency	Input power	Current	Capacitor	Airflow	Speed rotation	Noise level	Rotation direction	Operating temperature
V	Hz	Wa	A	$\mu\text{F}$	$\text{m}^3/\text{h}$	RPM	dBA	$\curvearrowright$	Min / Max
230	50	150	0,66	4,0	1 235	2 480	67	R	-20°C / +70°C
230	60	197	0,86	4,0	1 315	2 580	69	R	-20°C / +50°C
230	50				726 CFM				-4°F / +158°F
230	60				774 CFM				-4°F / +122°F



- Weight : 2,4 Kg
- Ball bearing
- Class F, thermally protected
- IP44 protection
- G2.5 balancing
- Rotor : black paint
- PA 6/6 UL 94 V-0 plastic impeller



Capacitor for 50Hz: 19019  
 Capacitor for 60Hz: 19019  
 Finger guard: 21194  
 Inlet cone: 16214



Non-confidential document. All specifications are subject to change without prior notice. Picture for information only.