

252 N

## DC axial compact fan



### Nominal data

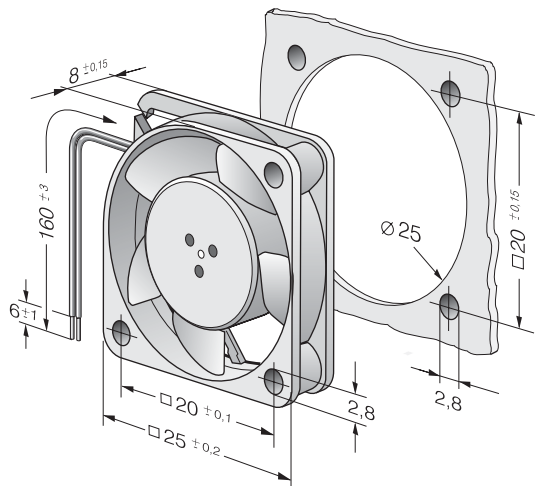
Type	252 N	
Nominal voltage	VDC	12
Nominal voltage range	VDC	10 .. 14
Speed	min <sup>-1</sup>	9000
Power input	W	0.5
Min. ambient temperature	°C	-10
Max. ambient temperature	°C	70
Air flow	m <sup>3</sup> /h	3.2
Sound power level	B	<3
Sound pressure level	dB(A)	15

ml = max. load · me = max. efficiency · fa = running at free air · cs = customer specs · cu = customer unit  
Subject to alterations

252 N

# DC axial compact fan

## Product drawing



## Charts: Air flow

